

MESSRS. BGF

JA REFERENCE DRAWINGS

(Mechanic Drawings)

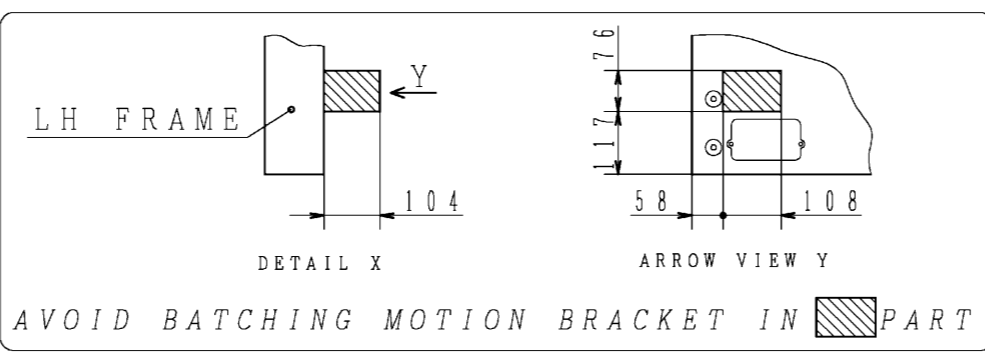
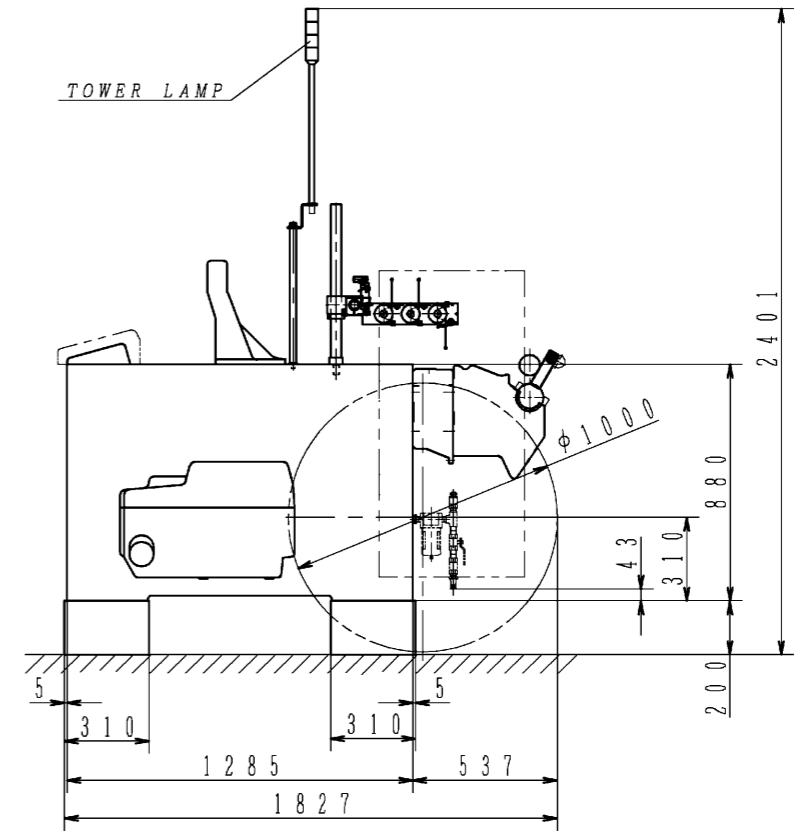
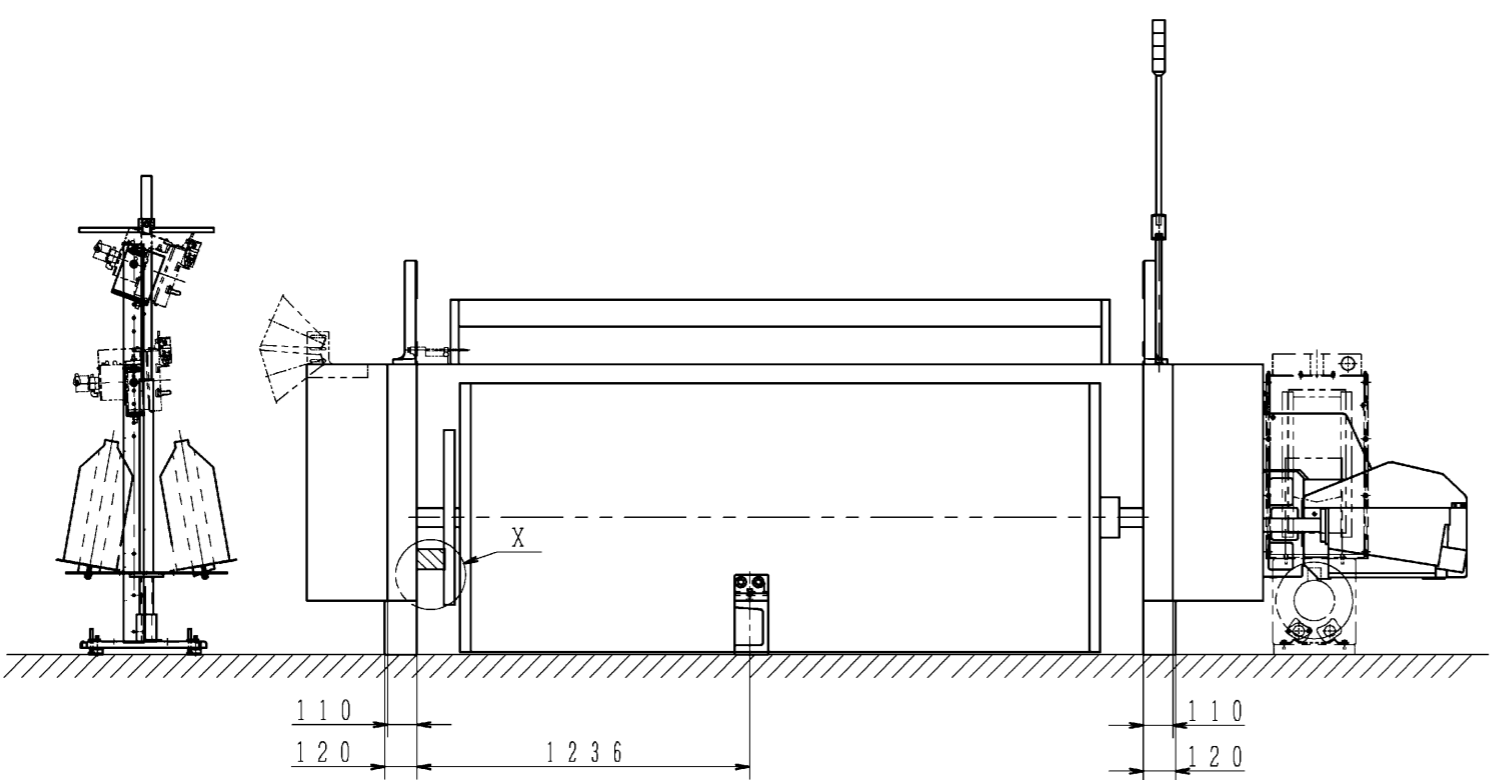
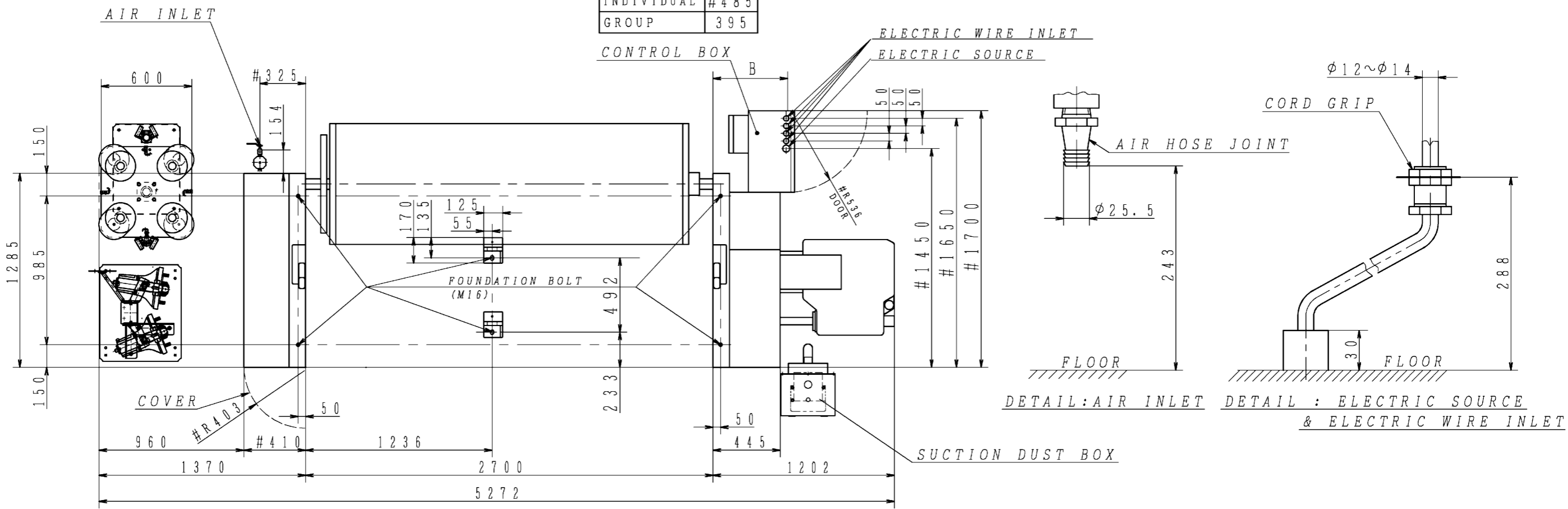
SERIAL No. JB2816

MODEL JAG230DE

<i>NUMBER OF DRAWING</i>	<i>NAME OF DRAWING</i>
JG-003-G094	FLOOR PLAN
JA-002-LB004	LENO SELVEDGE BOBBIN
JE-312-RD054	REED
JA-316-014	HEALD
JE-317-YB128	YARN BEAM

1 2 3 4 5 6

INVERTER	B
INDIVIDUAL	#485
GROUP	395



REMARKS

R/S230

POSITIVE DOBBY (STAUBLI S3220, 3260)

YARN BEAM DIA. $\phi 1000$

OFF-LOOM TAKE-UP MOTION

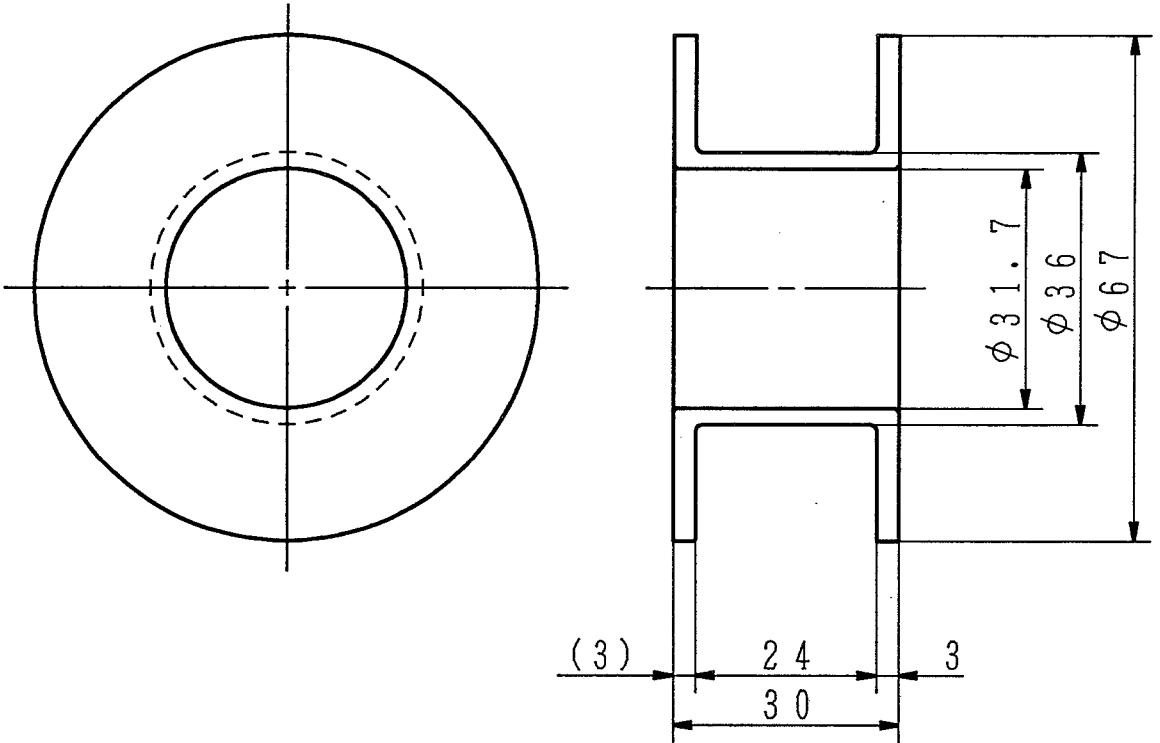
ELECTRIC SMALL DRUM 4 COLORS

ABS & BALOON COVER

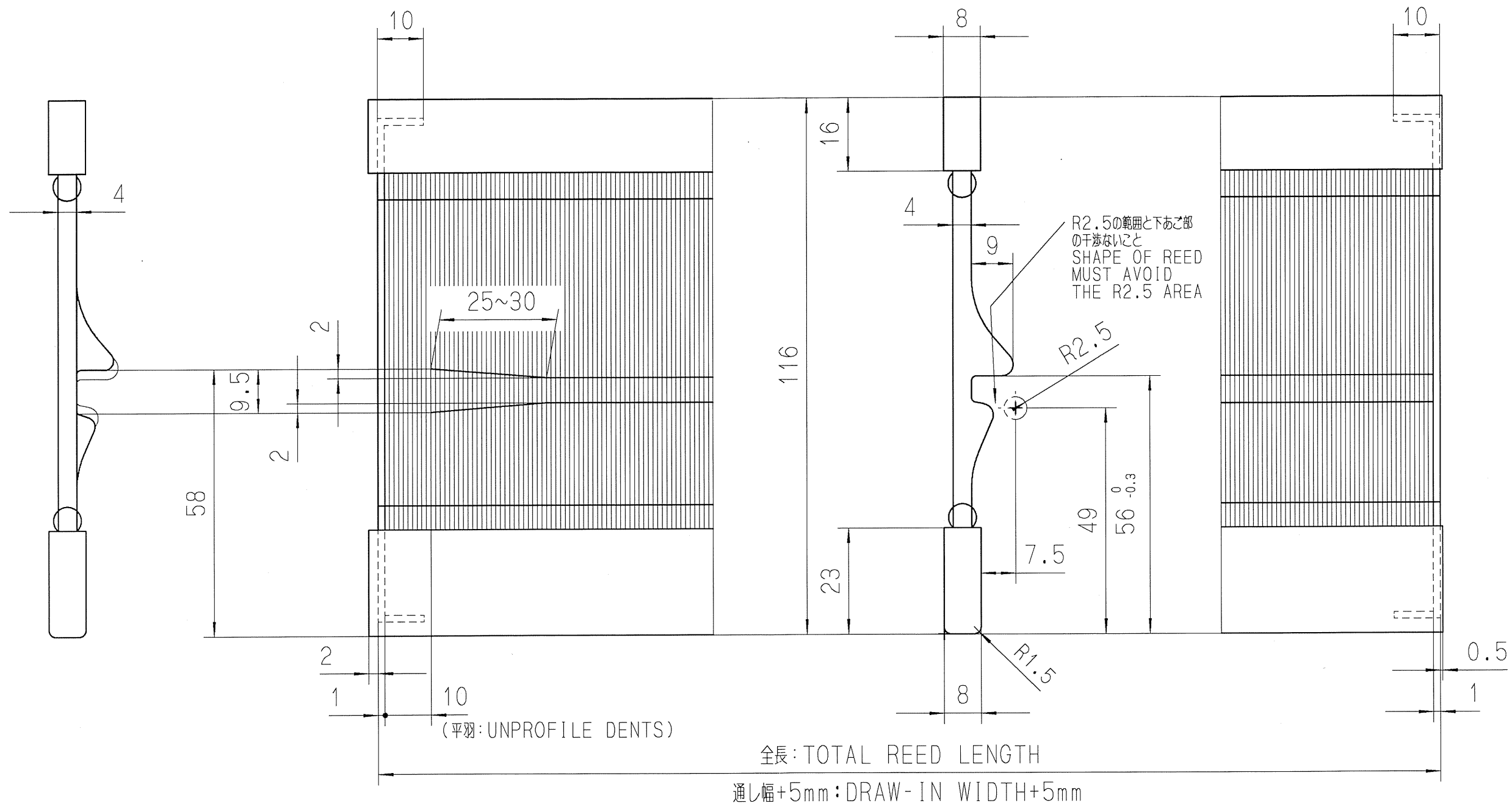
#: THIS SIZE CHANGED AS COMPARED WITH JAT710.

DATE 2018. 02. 19	APPLIED FOR JAT81		
NAME OF DRAWING			
FLOOR PLAN			
DRAWN BY	CHECKED BY	APPROVED BY	DRAWING NO.
Y. KAWAKAMI	S. Abe Y. Kawakami	Y. Murakami	JG-003-G094

この図面の所有権は
株式会社豊田自動織機
にあります。弊社の書面
による許可なく公開、複写、
謄写、および類似行為を禁
止します。



MESSRS.		DATE 1997. 09. 03	APPLIED FOR JAT
REMARKS SCHMEING TYPE PART NO. J5413-27010-00 SCALE 1/1		NAME OF DRAWING LENO SELVEDGE BOBBIN	
DRAWN BY KANAYAMA <i>Makino</i>	CHECKED BY <i>T. Inagaki</i>	APPROVED BY <i>J. Inano</i>	DRAWING NO. JA-002-LB004



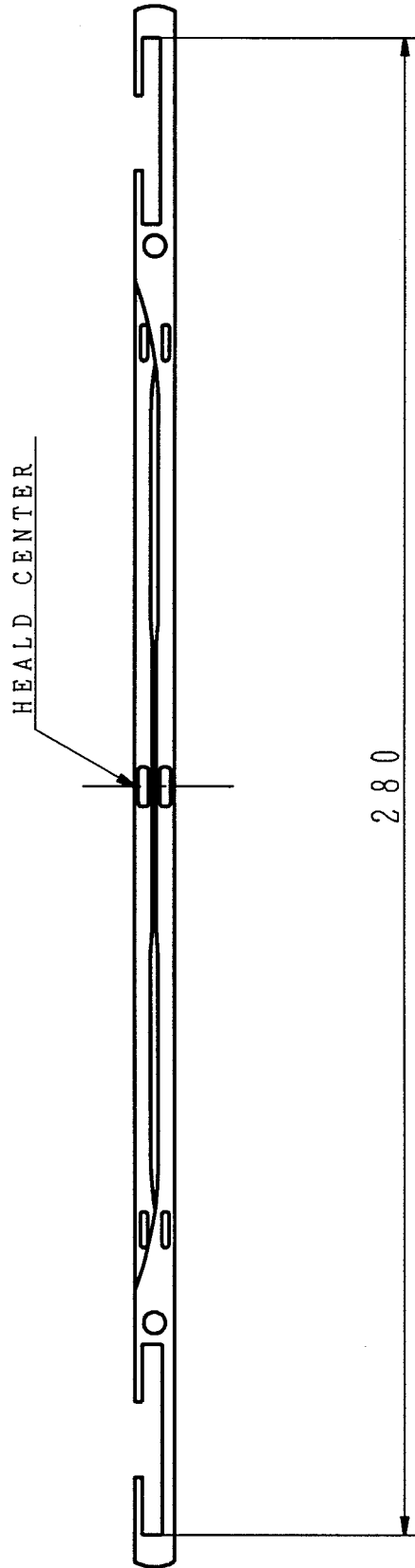
- 1) 全長: TOTAL REED LENGTH ****mm
- 2) 才サ密度: DENTS DENSITY ***/2INCHS
- 3) 羽厚: DENT THICKNESS t=***mm

MESSRS.		DATE 2018.02.19	APPLIED FOR JAT81
REMARKS GLASS(SPECIAL) CUT REED (CONICAL TYPE)		NAME OF DRAWING REED	
DRAWN BY Y. KAWAKAMI	CHECKED BY <i>S. Abe</i>	APPROVED BY <i>Y. Kubo</i>	DRAWING NO. JE-312-RD054

符号	変更事項	年月日	変更者

Y. Kubo

この図面の所有権は
株式会社豊田自動織機
にあります。弊社の書面
による許可なく公開、複写、
譲渡、および類似行為を禁
止します。



MESSRS.		DATE JUN. 23. 1992	APPLIED FOR JA
REMARKS OPEN C-SHAPED END LOOP 280 HEALD		NAME OF DRAWING FLAT HEALD	
DRAWN BY IWASE	CHECKED BY <i>K. Sugimura</i>	APPROVED BY <i>J. Swano</i>	DRAWING NO. JA-316-014

1

2

3

4

5

6

DRAWING DIRECTION OF WARP SHEET

BASE PLANE OF BEAMING

A

A

B

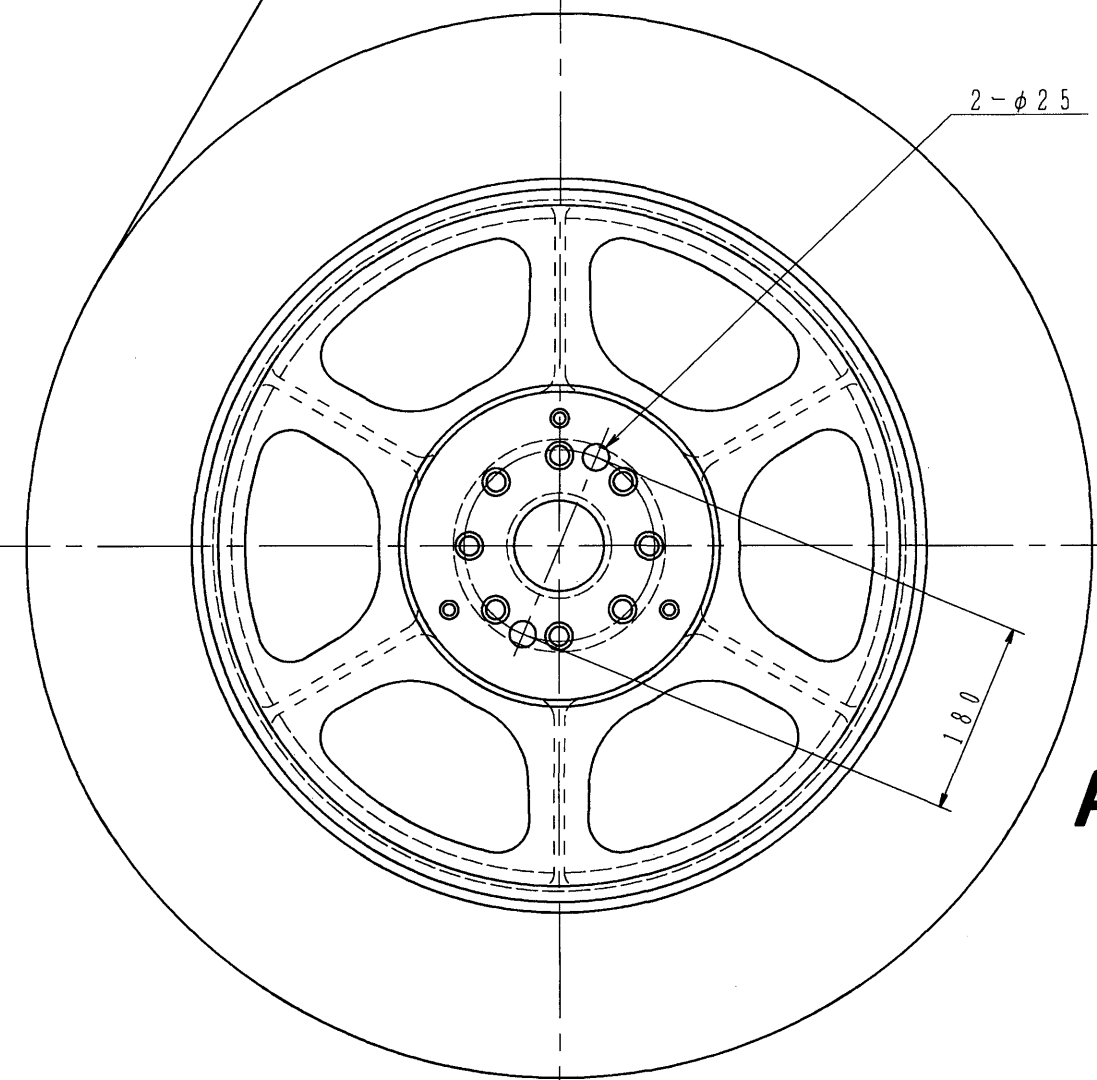
B

C

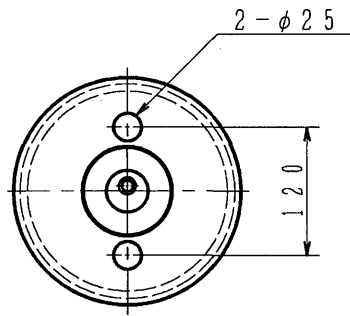
C

D

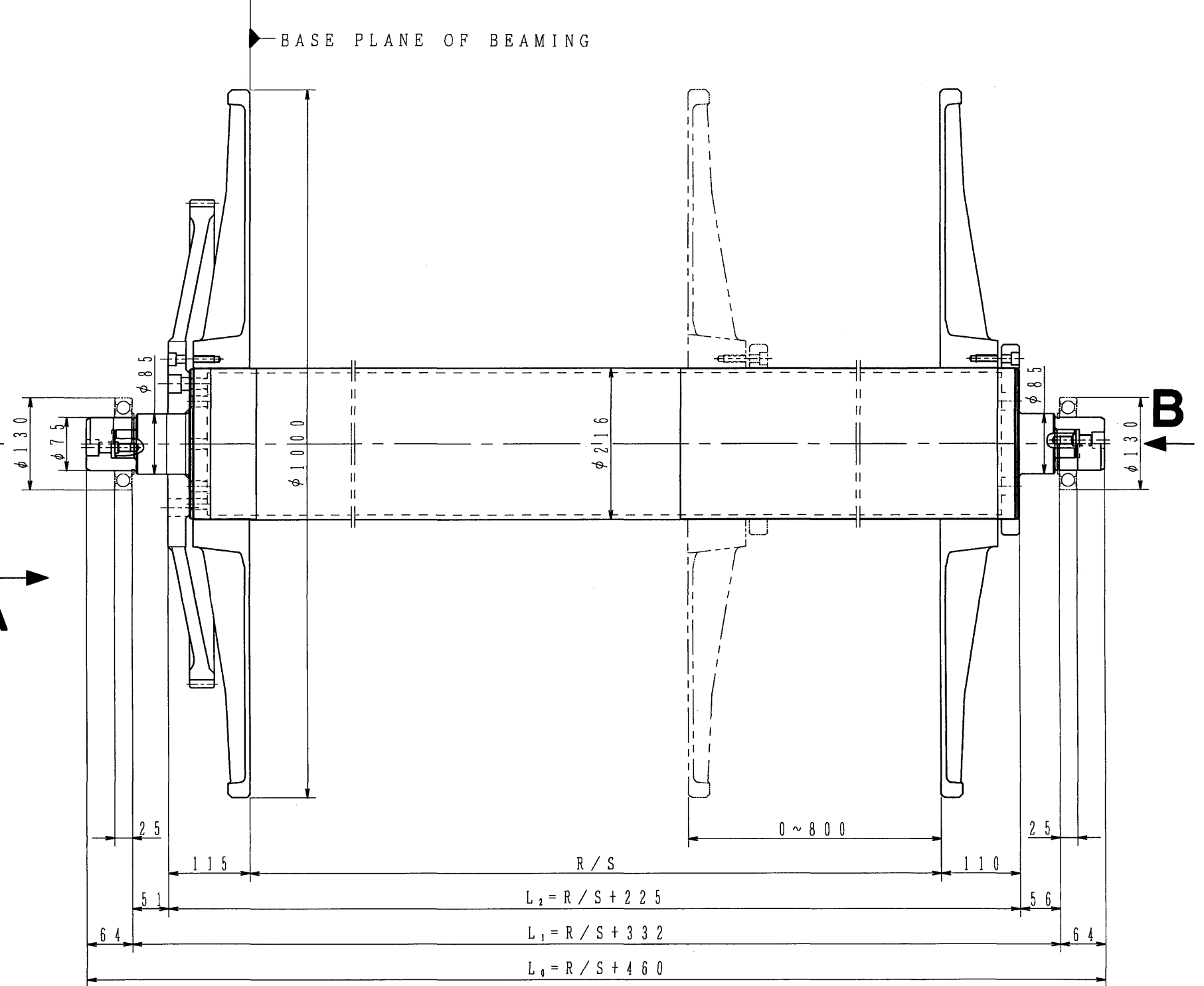
D



A



B



R/S	L ₀	L ₁	L ₂
140	1860	1732	1625
150	1960	1832	1725
170	2160	2032	1925
190	2360	2232	2125
210	2560	2432	2325
230	2760	2632	2525
250	2960	2832	2725
280	3260	3132	3025

MESSRS.		DATE MAR. 18. 2013	APPLIED FOR JAT71
REMARKS		R/S 140~280	NAME OF DRAWING
YARN BEAM FLANGE DIA. φ1000		YARN BEAM	
YARN BEAM DIA. φ216		BALL BEARING 6215DDU	
DRAWN BY	CHECKED BY	APPROVED BY	DRAWING NO.
Y. KAWAKAMI	<i>H. Suda</i>	<i>M. Marubara</i>	JE-317-YB128