

MESSRS. BEDFORD

JA REFERENCE DRAWINGS

(Mechanic Drawings)

SERIAL No. JB3982

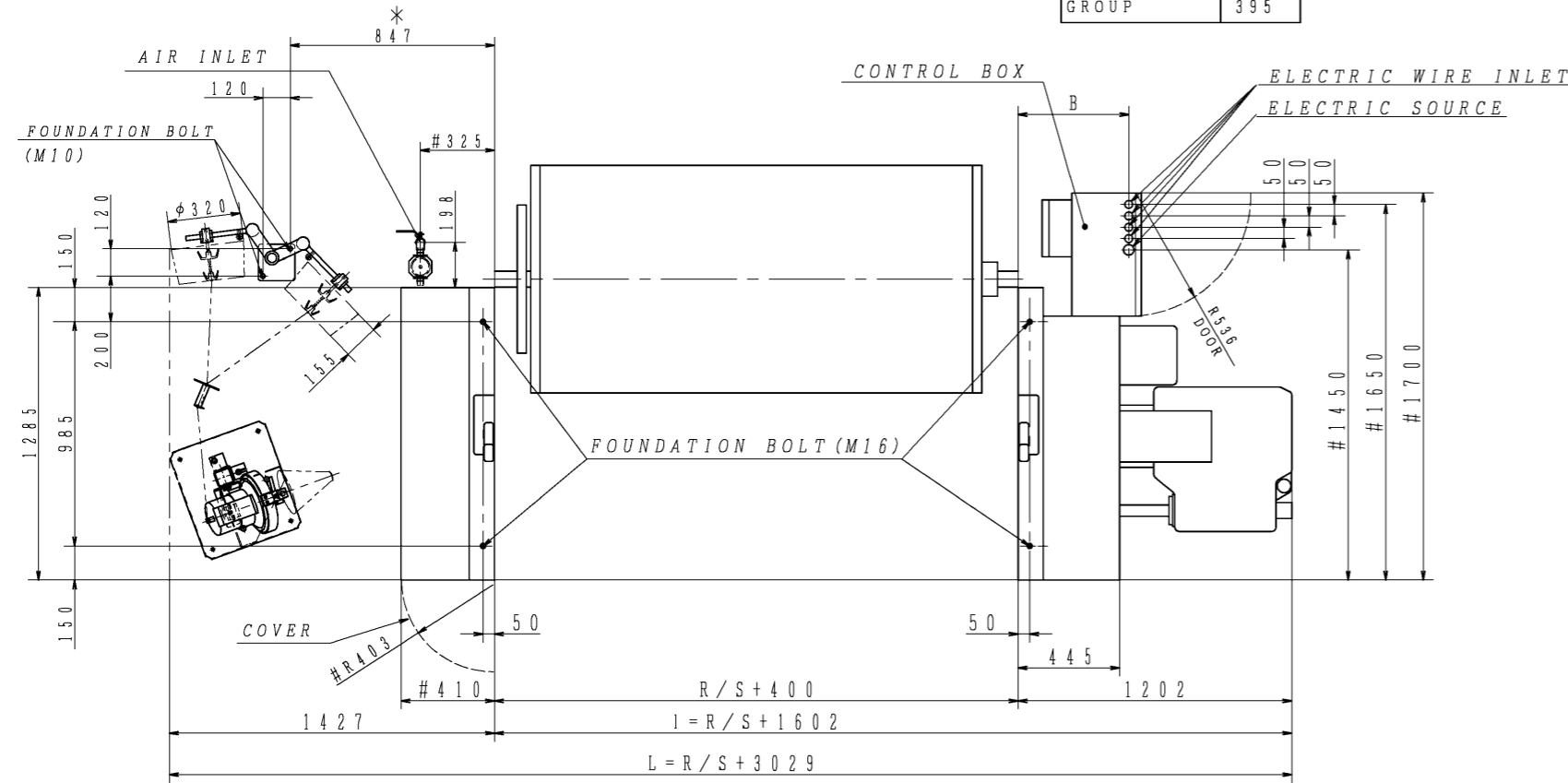
MODEL JAS190DE

<i>NUMBER OF DRAWING</i>	<i>NAME OF DRAWING</i>
JG-003-DP104SMA	FLOOR PLAN
JA-304-DP001	DROPPER
JE-312-RD042	REED
JA-316-006	HEALD
JE-317-YB125	YARN BEAM

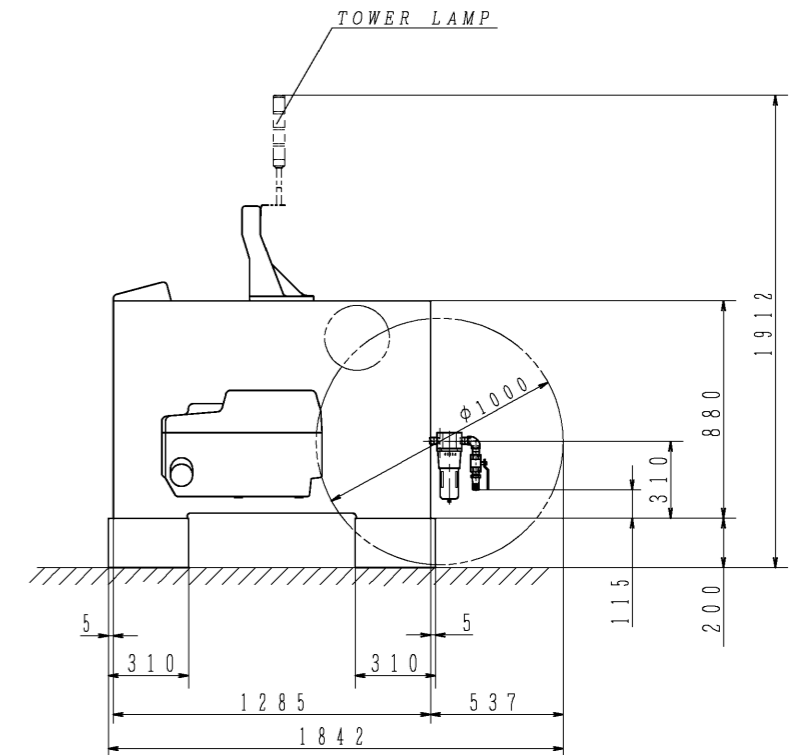
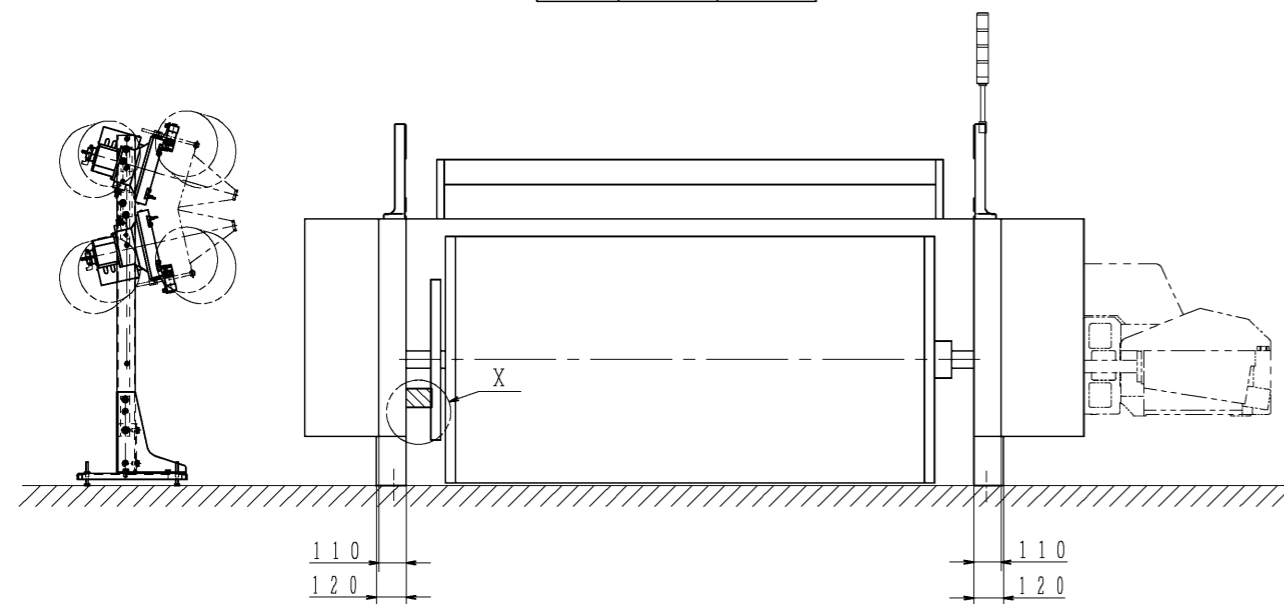
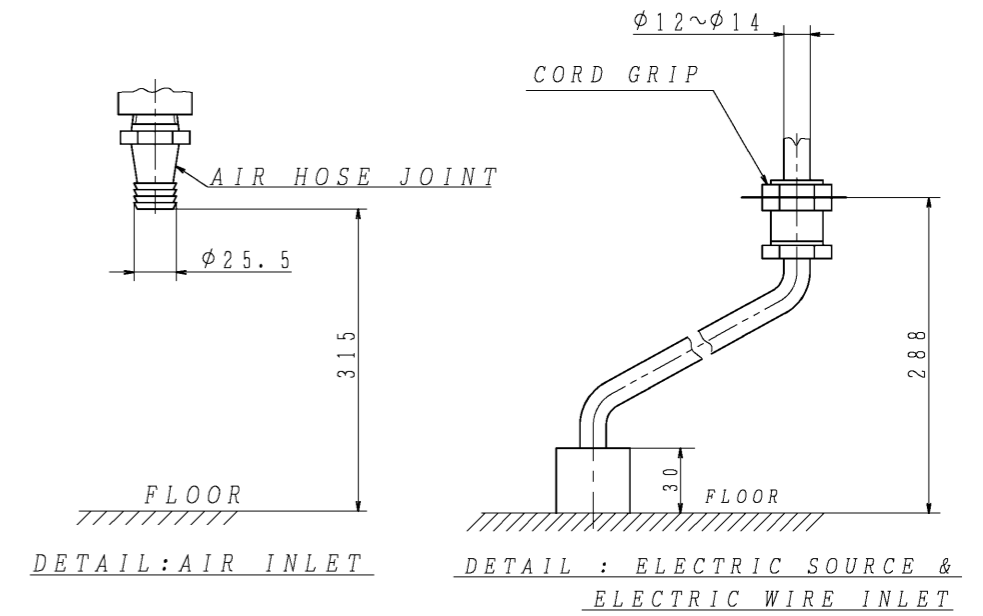
*CAUTION

DIMENSION AREA CORRECT FOR INDICATED CHEESE SIZE
PLEASE ADJUST IF CHEESE SIZE IS DIFFERENT
(MAX. ALLOWED CHEESE SIZE: $\phi 320$, LENGTH 250mm, WEIGHT 10Kg)

INVERTER	B
INDIVIDUAL	#485
GROUP	395

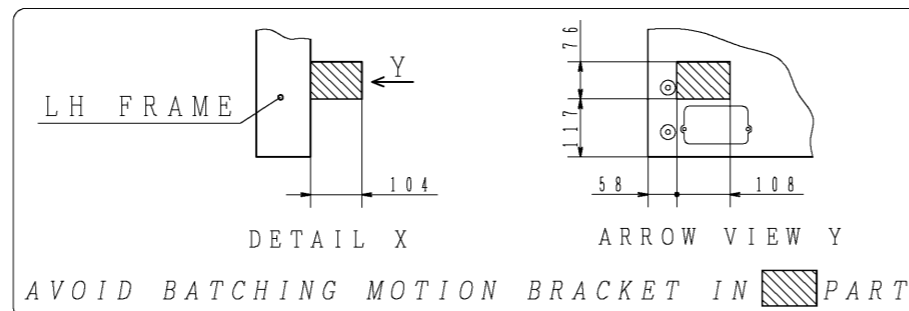


R/S	L	l
150	4529	3149
170	4729	3349
190	4929	3549



REMARKS.

R/S150~190
POSITIVE DOBBY (STAUBLI S3220)
YARN BEAM DIA. $\phi 1000$
OFF LOOM TAKE-UP MOTION
CHEESE DIA. $\phi 320$
LARGE FILTER
ELECTRIC LARGE DRUM
WITH MULTI TANDEM NOZZLE & ABS



#: THIS SIZE CHANGED AS COMPARED WITH JAT710.

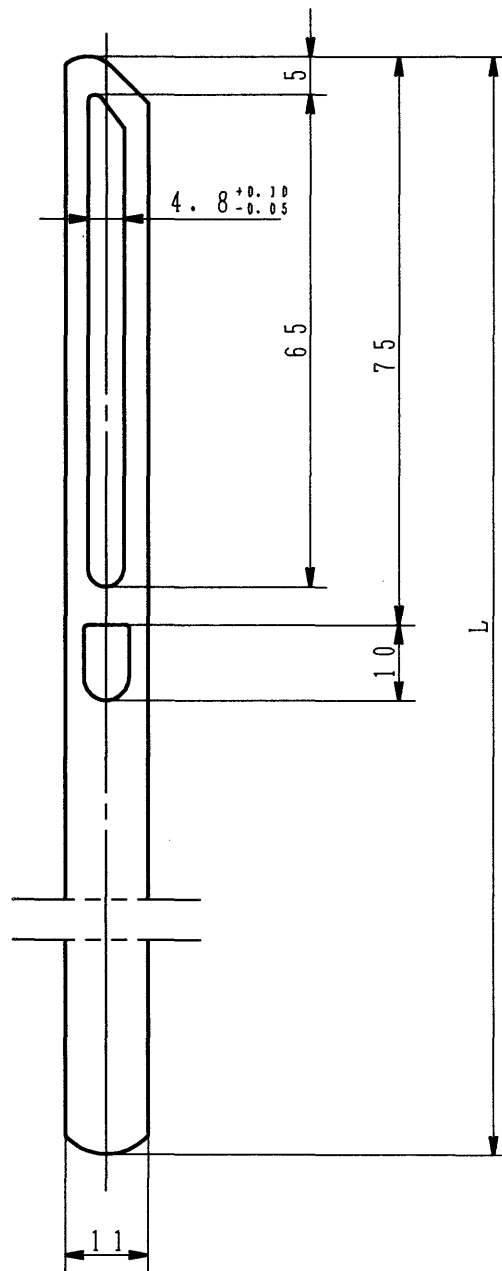
DRAWN BY
M. SAKODA

CHECKED BY
Y. Kawakami
M. Sakoda

APPROVED BY
S. Abe

DATE JUL. 14. 2020	APPLIED FOR JAT81
NAME OF DRAWING	
FLOOR PLAN	
DRAWING NO.	
JG-003-DP104SMA	

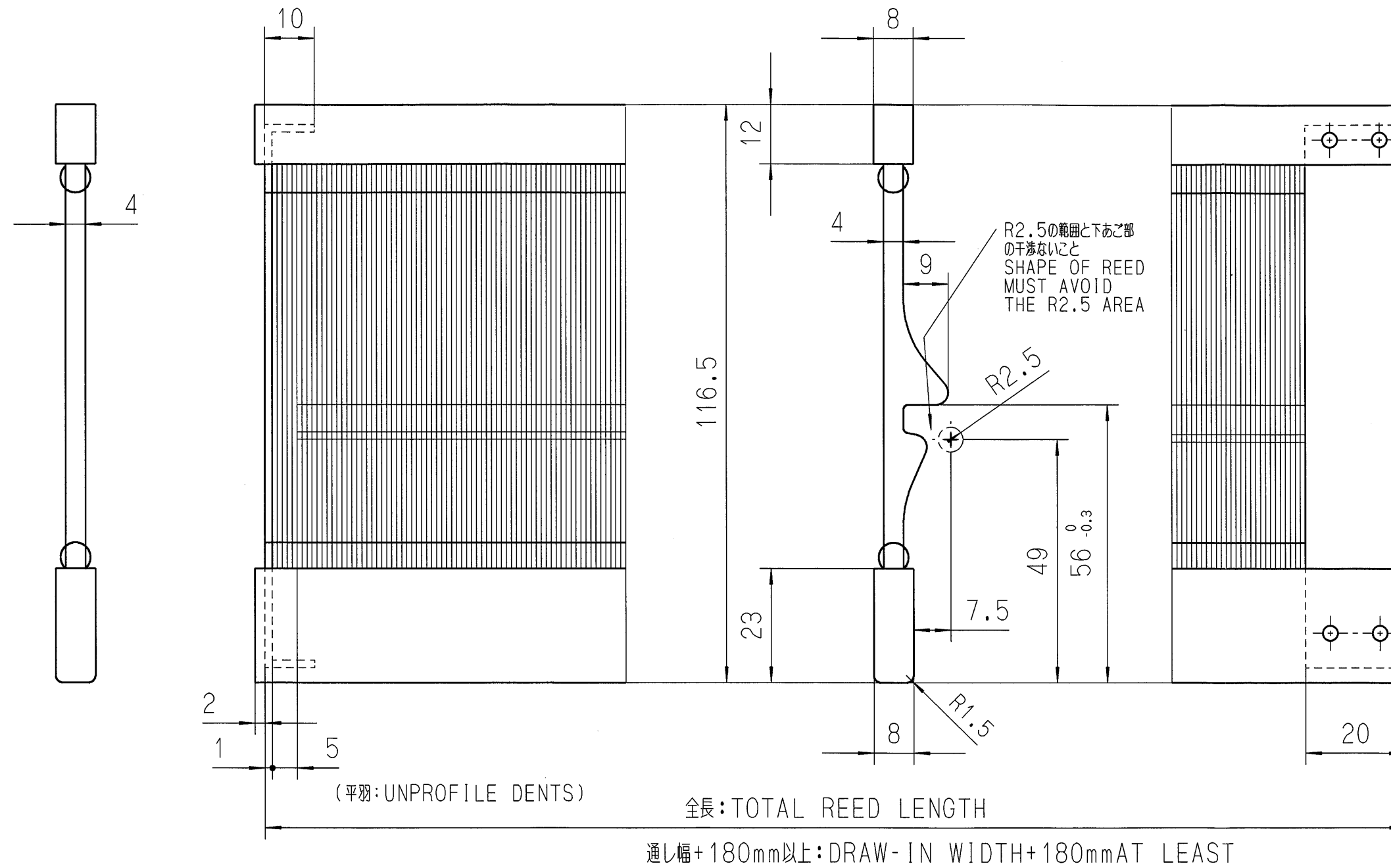
JA-304-001



TYPE	L
SHORT TYPE	145
LONG TYPE	165

MESSRS.		DATE 9. DEC. 88	APPLIED FOR JA
REMARKS FOR ELECTRIC BAR		NAME OF DRAWING DROPPER	
DRAWN BY K. HARA	CHECKED BY <i>K. Sugino</i>	APPROVED BY <i>J. Inano</i>	DRAWING NO. JA-304-DP001

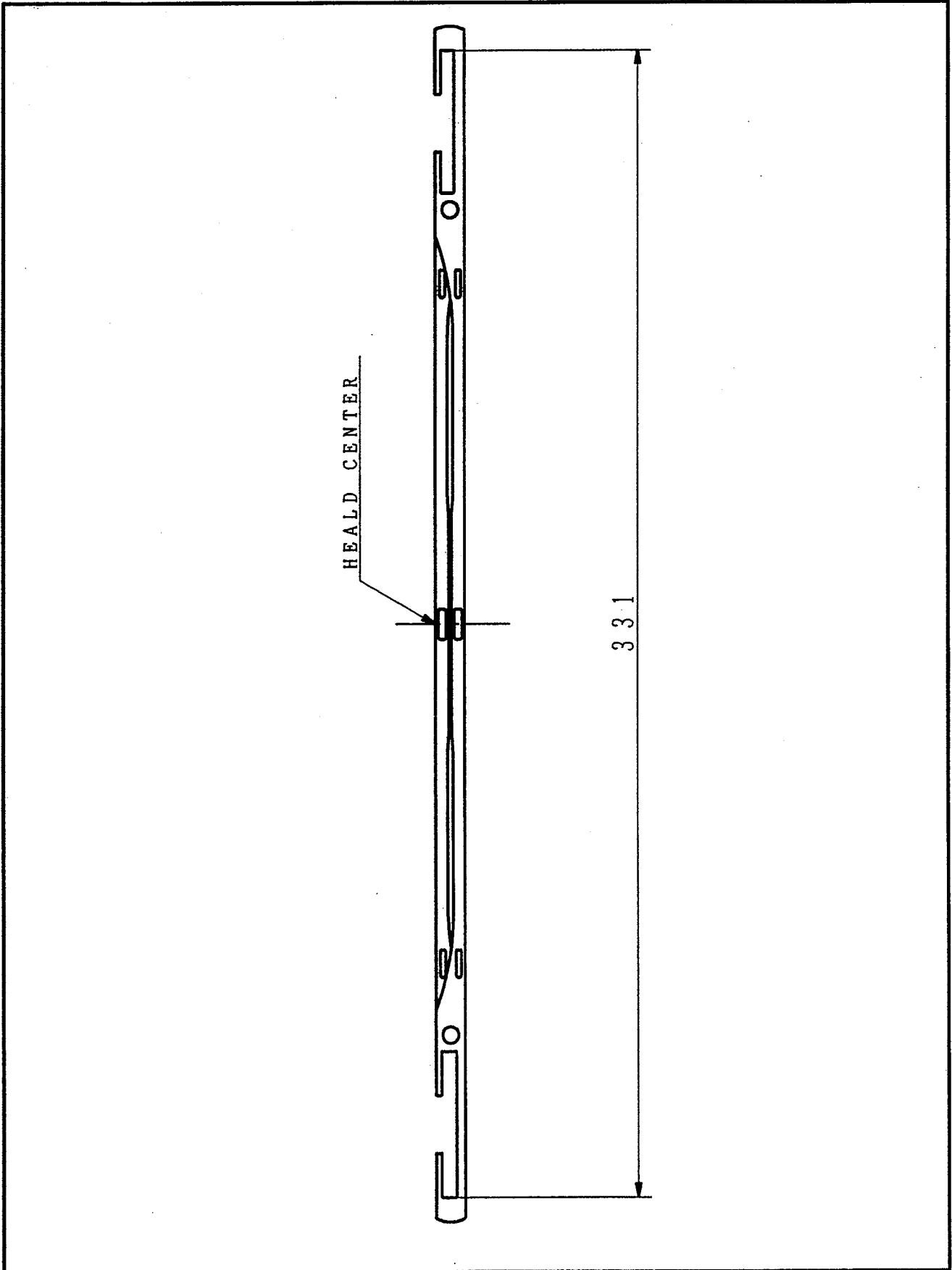
1



- 1) 全長: TOTAL REED LENGTH ****mm
- 2) 才サ密度: DENTS DENSITY ***/2INCHS
- 3) 羽厚: DENT THICKNESS t=***mm

MESSRS.		DATE 2012.12.04	APPLIED FOR JAT71
REMARKS		NAME OF DRAWING	
TUCK-IN SPUN(SPECIAL) NON CUT REED		REED	
DRAWN BY	CHECKED BY	APPROVED BY	DRAWING NO.
Y. KAWAKAMI	N. Suda	M. Maruoka	JE-312-RD042

符号	変更事項	年月日	変更者



MESSRS.		DATE	APR. 15. 1988	APPLIED FOR	JA
REMARKS			NAME OF DRAWING		
OPEN C-SHAPED END LOOP 331 HEALD			FLAT HEALD		
DRAWN BY	CHECKED BY	APPROVED BY	DRAWING NO.		
IWASE	<i>K. Sugimura</i>	<i>G. Swano</i>	JA-316-006		

DRAWING DIRECTION OF WARP SHEET

BASE PLANE OF BEAMING

M=5,136T

2-φ25

φ130
φ75
φ85

φ1000

φ216

φ85
φ130

180

25

115

R/S

0~700

110

25

51

$L_2 = R/S + 225$

56

64

$L_1 = R/S + 332$

64

$L_0 = R/S + 460$

2-φ25

120

R/S	L ₀	L ₁	L ₂
140	1860	1732	1625
150	1960	1832	1725
170	2160	2032	1925
190	2360	2232	2125
210	2560	2432	2325
230	2760	2632	2525
250	2960	2832	2725
280	3260	3132	3025

ギヤの歯数、モジュール追加	19.03.19	M.SAKODA
R/S140, 150追加	12.02.15	Y.KAWAKAMI
符号	変更事項	年月日 変更者

MESSRS.	DATE FEB. 15. 2012	APPLIED FOR JAT81
REMARKS YARN BEAM FLANGE DIA. φ1000 YARN BEAM DIA. φ216 BALL BEARING 6215DDU	R/S140~280 NAME OF DRAWING YARN BEAM	
DRAWN BY Y. KAWAKAMI	CHECKED BY S. Abe Y. Kawakami	APPROVED BY H. Sugiyama
DRAWING NO. JE-317-YB125		