

MESSRS. FANCY TERRY.INMAN

## JA REFERENCE DRAWINGS

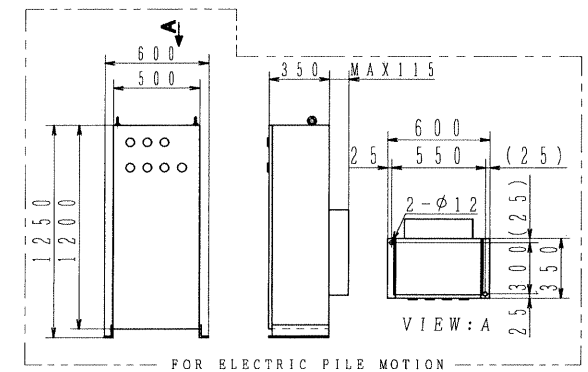
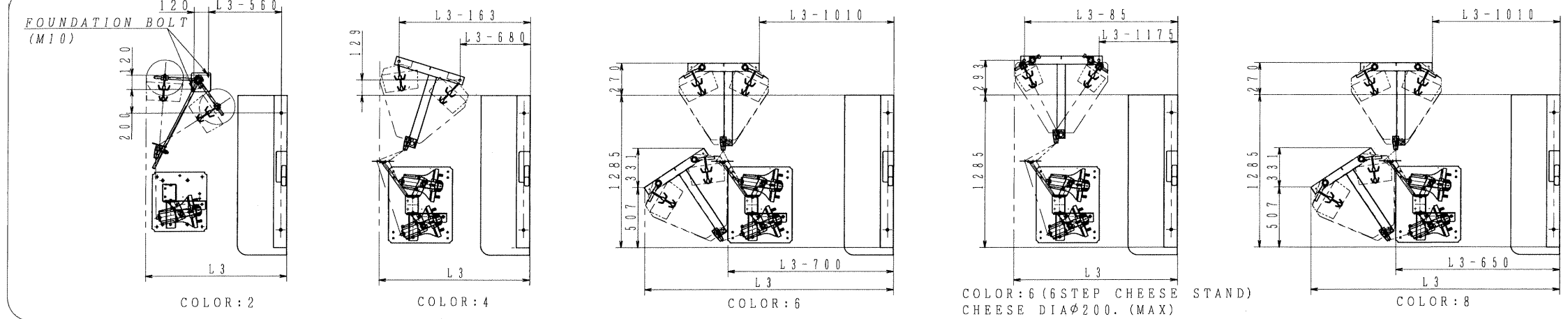
(Mechanic Drawings)

SERIAL No. JB3999

MODEL JAT210JE

<i>NUMBER OF DRAWING</i>	<i>NAME OF DRAWING</i>
JG-003-PJ013CA	FLOOR PLAN
JE-312-RD045	REED(E)
JE-317-GB801-A	YARN BEAM FOR GROUND
JE-317-PB101	YARN BEAM FOR PILE

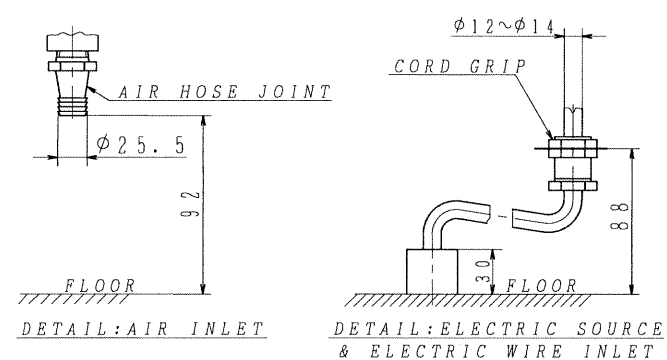
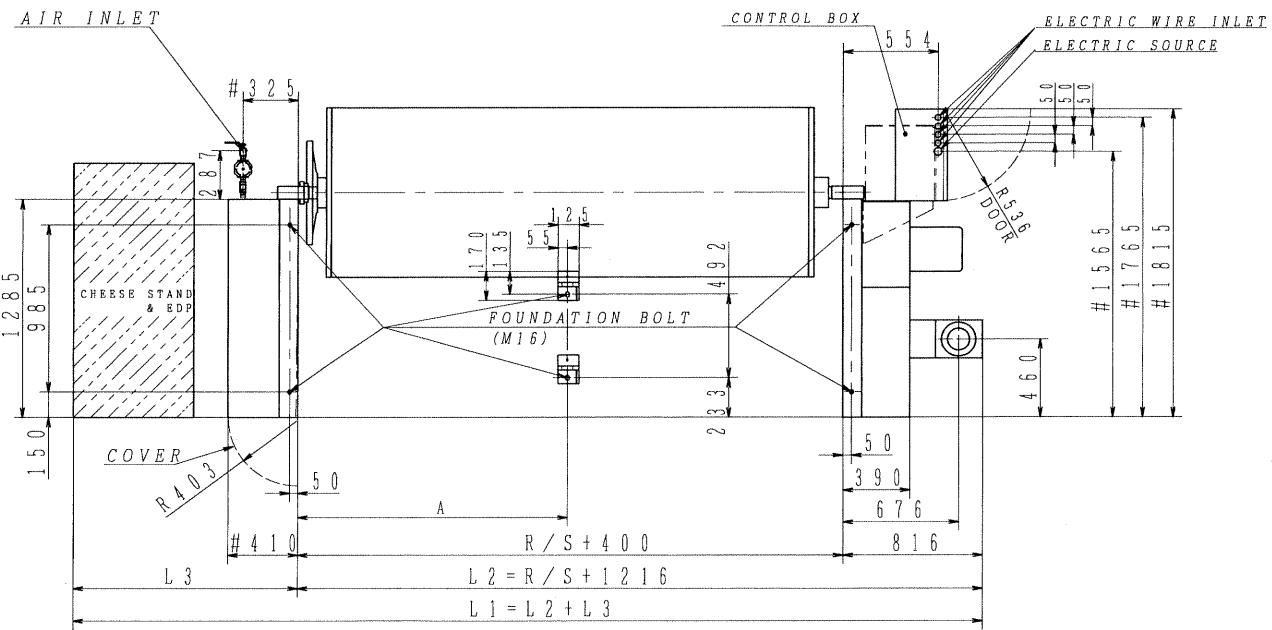
CHEESE STAND & EDP



DETAIL: INVERTER & CONTROLLER BOX  
REMARKS: Available to fix within 1.5m from CONTROL BOX

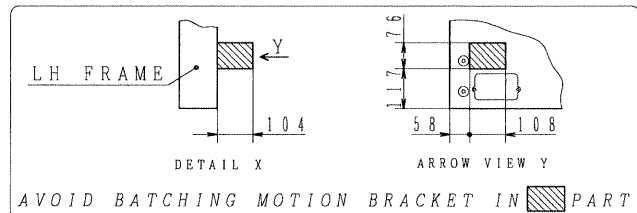
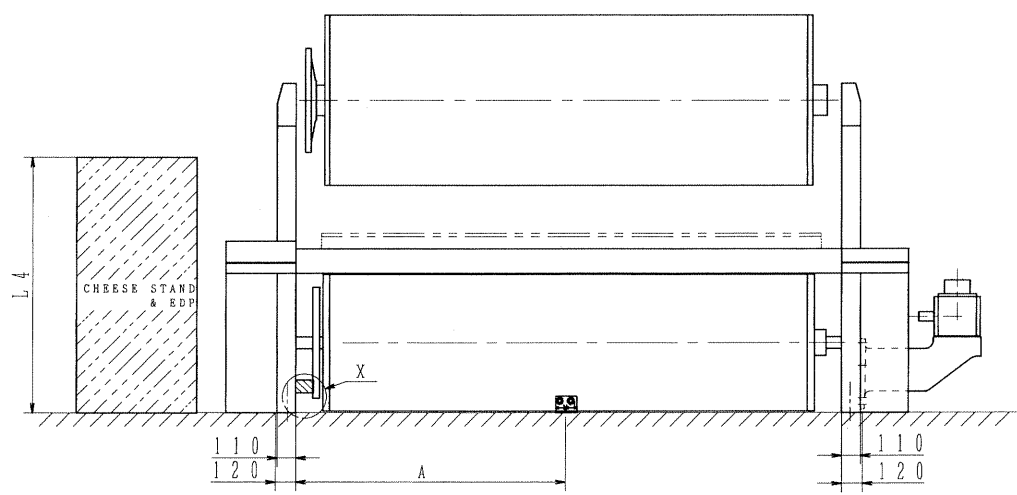
COLOR	R/S	BALLOON COVER	FLOOR SPACE		
			L3	L2	L1
2C	210	WITHOUT	1170	3316	4486
		WITH	1310		4626
	230	WITHOUT	1170	3516	4686
		WITH	1310		4826
	250	WITHOUT	1170	3716	4886
		WITH	1310		5026
260	WITHOUT	1170	3816	4986	
	WITH	1310		5126	
280	WITHOUT	1170	4016	5186	
	WITH	1310		5326	
300	WITHOUT	1170	4216	5386	
	WITH	1310		5526	
4C	210	WITHOUT	1275	3316	4591
		WITH	1415		4731
	230	WITHOUT	1275	3516	4791
		WITH	1415		4931
	250	WITHOUT	1275	3716	4991
		WITH	1415		5131
260	WITHOUT	1275	3816	5091	
	WITH	1415		5231	
280	WITHOUT	1275	4016	5291	
	WITH	1415		5431	
300	WITHOUT	1275	4216	5491	
	WITH	1415		5631	
6C	210	WITHOUT	2085	3316	5401
		WITH	2225		5541
	230	WITHOUT	2085	3516	5601
		WITH	2225		5741
	250	WITHOUT	2085	3716	5801
		WITH	2225		5941
260	WITHOUT	2085	3816	5901	
	WITH	2225		6041	
280	WITHOUT	2085	4016	6101	
	WITH	2225		6241	
300	WITHOUT	2085	4216	6301	
	WITH	2225		6441	

COLOR	R/S	BALLOON COVER	FLOOR SPACE		
			L3	L2	L1
6C	210	WITHOUT	1385	3316	4701
		WITH	1525		4841
	230	WITHOUT	1385	3516	4901
		WITH	1525		5041
	250	WITHOUT	1385	3716	5101
		WITH	1525		5241
260	WITHOUT	1385	3816	5201	
	WITH	1525		5341	
280	WITHOUT	1385	4016	5401	
	WITH	1525		5541	
300	WITHOUT	1385	4216	5601	
	WITH	1525		5741	
8C	210	WITHOUT	2085	3316	5401
		WITH	2225		5541
	230	WITHOUT	2085	3516	5601
		WITH	2225		5741
	250	WITHOUT	2085	3716	5801
		WITH	2225		5941
260	WITHOUT	2085	3816	5901	
	WITH	2225		6041	
280	WITHOUT	2085	4016	6101	
	WITH	2225		6241	
300	WITHOUT	2085	4216	6301	
	WITH	2225		6441	

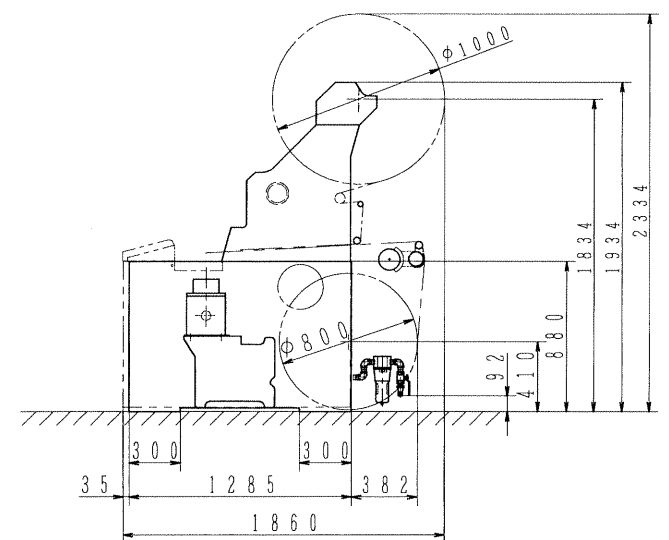


COLOR	L4
2	1360
4	1670
6	1420
◇6	1980
8	1670

6 STEP CHEESE STAND



R/S	A
210	1396
230	1236
250	1494
260	1544
280	1592.5
300	1692.5



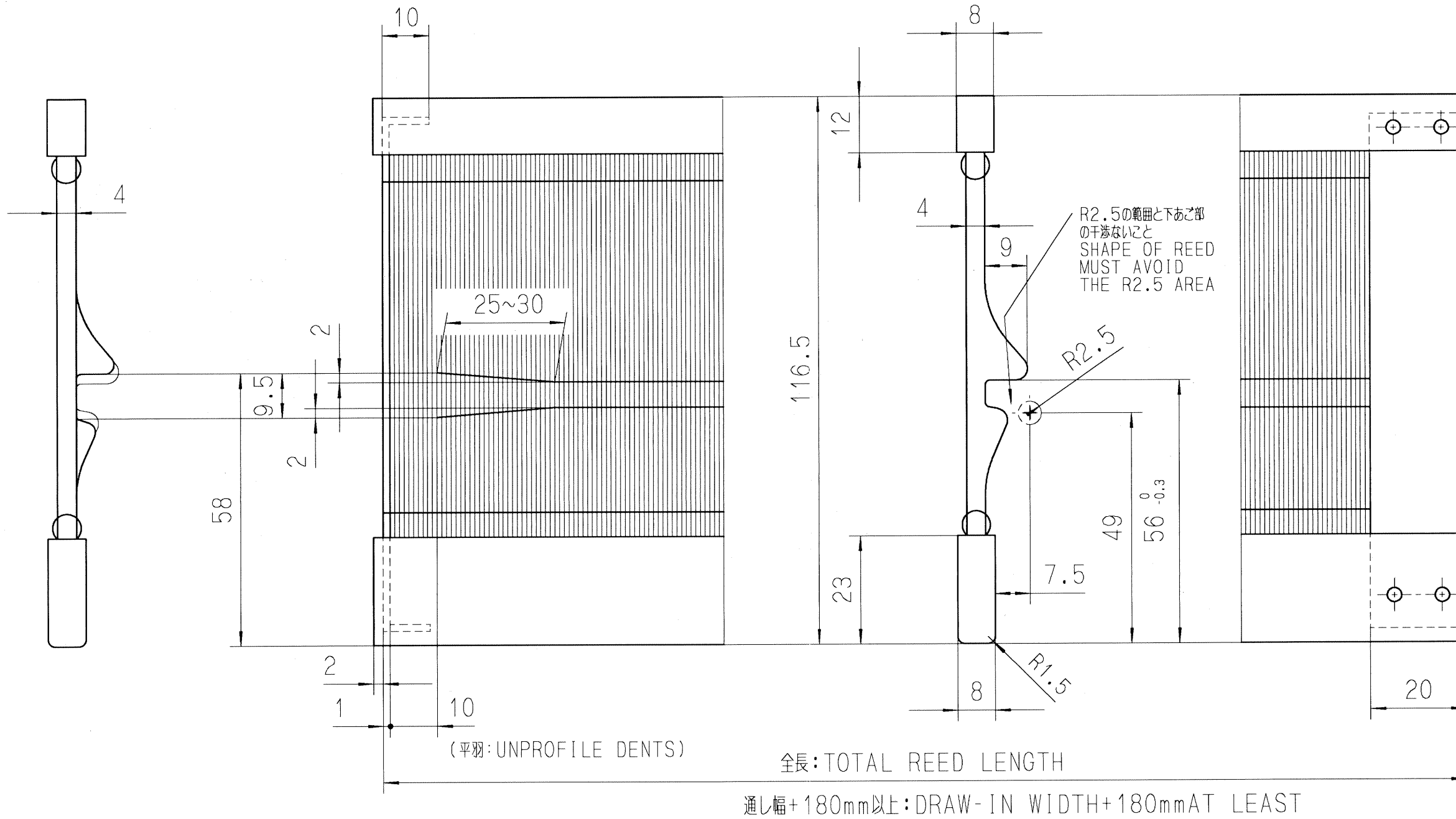
REMARKS.  
R/S210~300  
JACQUARD SHEDDING MOTION (L37 BOX)  
YARN BEAM DIA. Ø800 (G), Ø1000 (P)  
OFF LOOM TAKE-UP MOTION  
CHEESE DIA Ø300  
LARGE FILTER  
ELECTRIC LARGE DRUM  
WITH CONICAL TANDEM NOZZLE & ABS

#: THIS SIZE CHANGED AS COMPARED WITH JAT710.

DATE DEC. 24. 2013	APPLIED FOR JAT81
NAME OF DRAWING	
FLOOR PLAN	
DRAWN BY H. IIDA	CHECKED BY T. Ogura
APPROVED BY <i>[Signature]</i>	DRAWING NO. JG-003-PJ013CA

TOYOTA INDUSTRIES CORPORATION

1



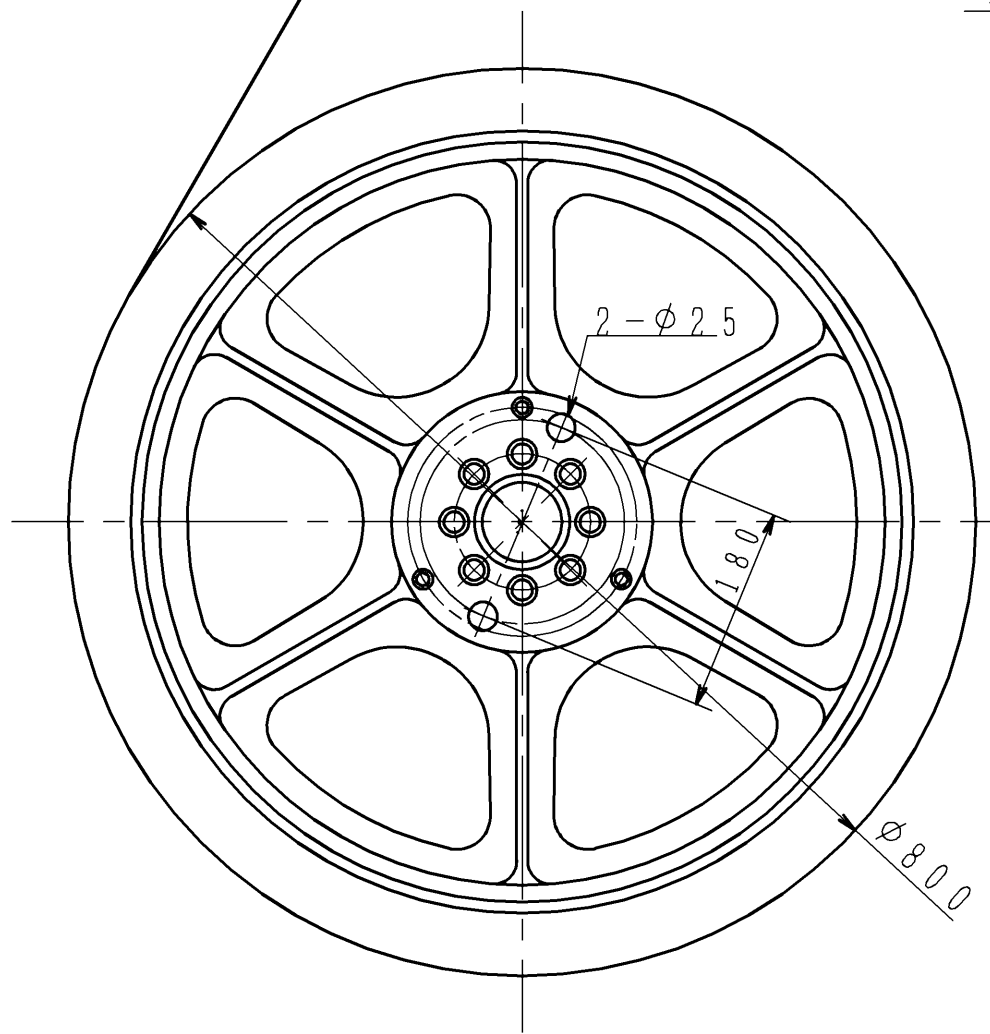
- 1) 全長: TOTAL REED LENGTH \*\*\*\*mm
- 2) 才サ密度: DENTS DENSITY \*\*\*/2INCHS
- 3) 羽厚: DENT THICKNESS t=\*\*\*mm

MESSRS.		DATE 2013.10.23	APPLIED FOR JAT81
REMARKS SPUN(SPECIAL) NON CUT REED (CONICAL TYPE)		NAME OF DRAWING REED	
DRAWN BY Y. KAWAKAMI	CHECKED BY y. Sakai	APPROVED BY y. Morikawa	DRAWING NO. JE-312-RD045

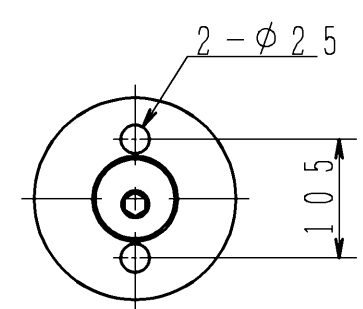
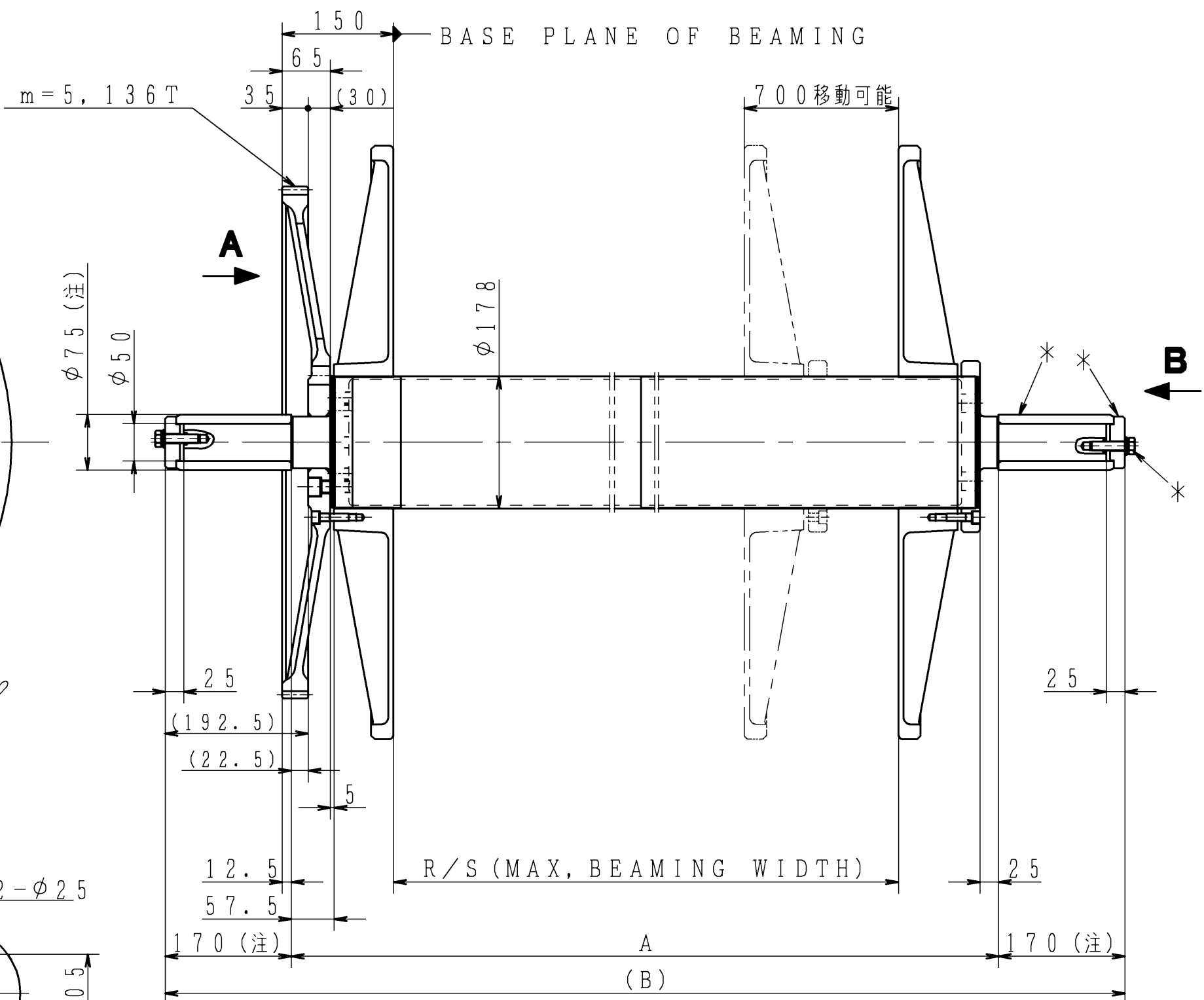
符号	変更事項	年月日	変更者

この図面の所有権は株式会社豊田自動織機にあります。弊社の書面による許可なく公開、複写、謄写、および類似行為を禁止します。

DRAWING DIRECTION OF WARP SHEET



A 矢視



B 矢視

A	B (注)	R/S
2172.5	2512.5	190
2372.5	2712.5	210
2572.5	2912.5	230
2772.5	3112.5	250
△ 2872.5	3212.5	260
3072.5	3412.5	280
△ 3272.5	3612.5	300

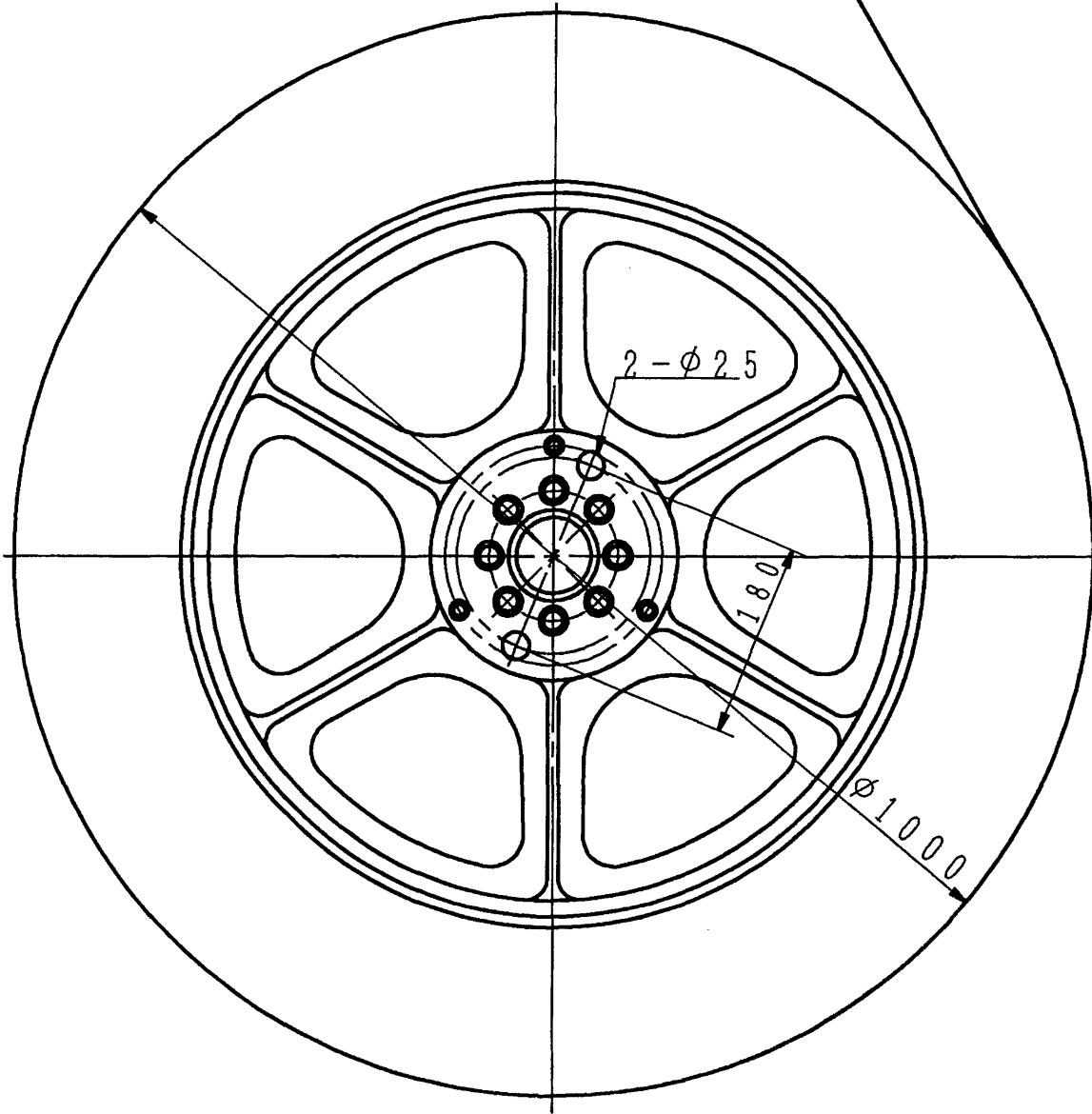
注) \* 部品 (左右共) ハ、予備品ニハ含マレズ

△	R/S 260, 300 追加	13.08.26	Y. KAWAKAMI
符号	変更事項	年月日	変更者

MESSRS.		DATE AUG. 22. 2001		APPLIED FOR JAT6	
REMARKS			NAME OF DRAWING		
YARN BEAM FLANGE DIA. $\phi$ 800 BALL BEARING 6215DDU			YARN BEAM FOR GROUND		
元 図 番	CHECKED BY	APPROVED BY	DRAWING NO.		
M. MASUDA	S. Abe Y. Kawakami	H. Sugiyama	JE-317-GB801-A		

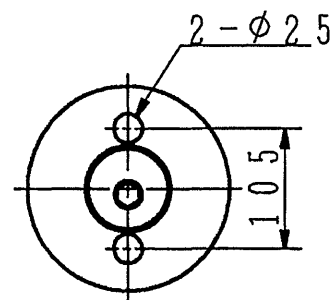
この図面の所有権は  
株式会社豊田自動織機  
にあります。弊社の書面  
による許可なく公開、複写、  
譲渡、および類似行為を禁  
止します。

DRAWING DIRECTION  
OF WARP SHEET

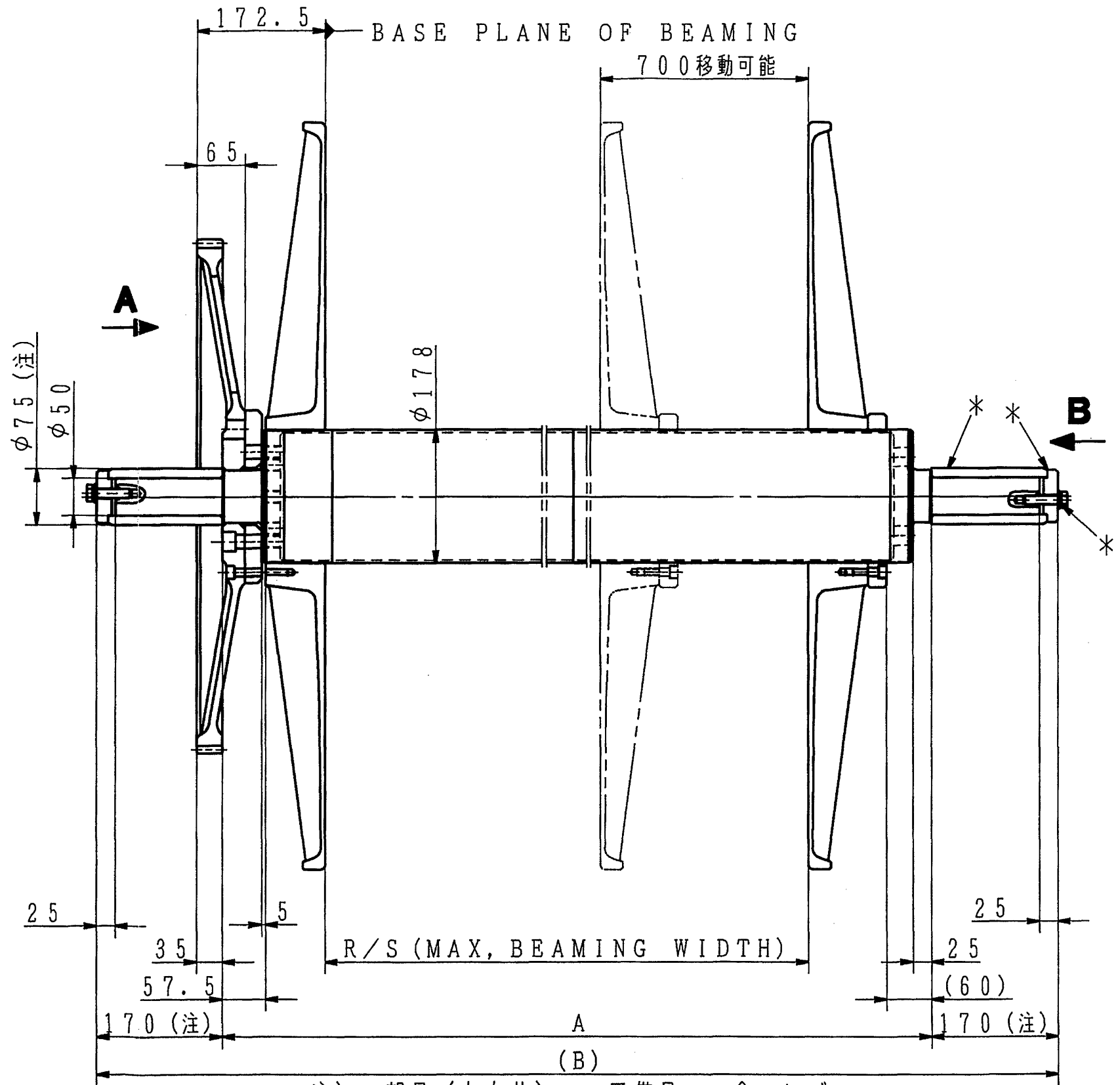


A 矢視

A	B (注)	R/S
2172.5	2512.5	190
2372.5	2712.5	210
2572.5	2912.5	230
2772.5	3112.5	250
3072.5	3412.5	280



B 矢視



注) \* 部品 (左右共) ハ、予備品ニハ含まレズ

MESSRS.		DATE AUG. 22. 2001		APPLIED FOR JAT6
REMARKS		NAME OF DRAWING		
YARN BEAM FLANGE DIA. $\phi$ 1000 BALL BEARING 6215DDU		YARN BEAM FOR PILE		
元 図 番	DRAWN BY	CHECKED BY	APPROVED BY	DRAWING NO.
	M. MASUDA	T. Ogura	J. Iwano	JE-317-PB101

符号	変更事項	年月日	変更者