

Section 5.8

IFC (Intelligent Feeling Controller)

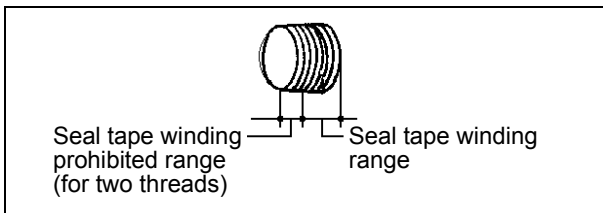
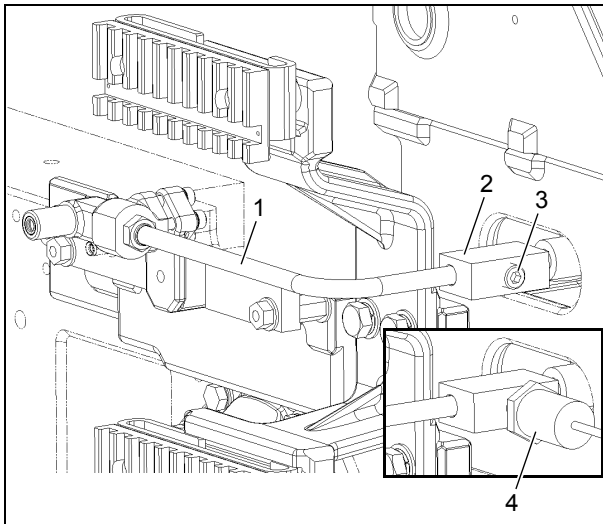
5.8.1	Pressure Sensor Installation.....	5.8-2
5.8.2	Function Panel.....	5.8-3

5.8 IFC (Intelligent Feeling Controller)

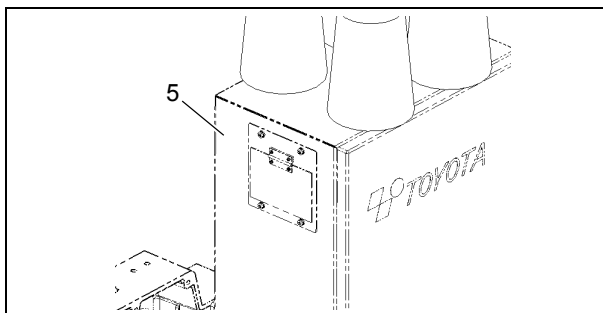
When installed with a pressure sensor, the nozzle pressure waveform can be sampled.

5.8.1 Pressure Sensor Installation

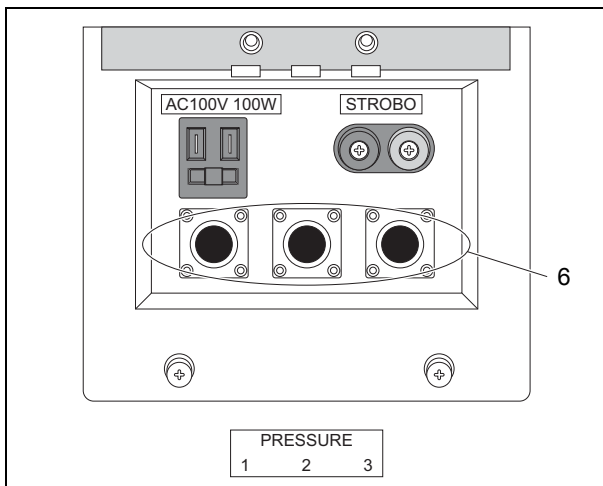
- (1) Remove plug **3** (74406-02003-**) from joint **2** of outlet tube **1**.
Clamp joint **2** before removal to avoid excessive force application to tube **1**.
- (2) Install pressure sensor **4** (76201-00039-**) after winding seal tape (Nichiasu 9082 or equivalent) on its threaded portion.



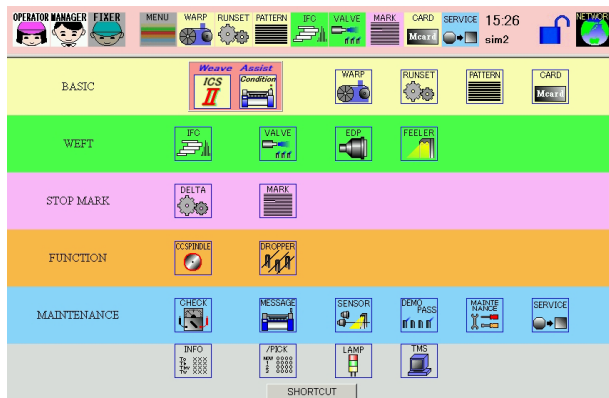
NOTE: When winding the seal tape, leave two threads on the plug side unwinded. Covering the whole threaded portion may cause the seal tape to enter into the tube.



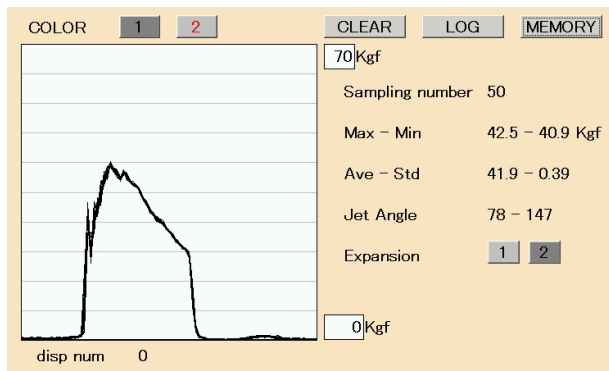
- (3) Connect the pressure sensor cables to PRESSURE connectors **6** of control box **5** so as not to bring it into contact with the pump cam. (The number of ports varies with the specification.)



5.8.2 Function Panel



(1) Touch [FIXER] – [IFC].



(2) Sampling starts with the operation, and the graph and value are updated.

COLOR : Displays the pressure connector No. on the control box.

[CLEAR] : Clears the display and starts sampling.

[LOG] : Displays the pressure waveform Information immediately after stopping.

Sampling number:

The number of picks after starting sampling

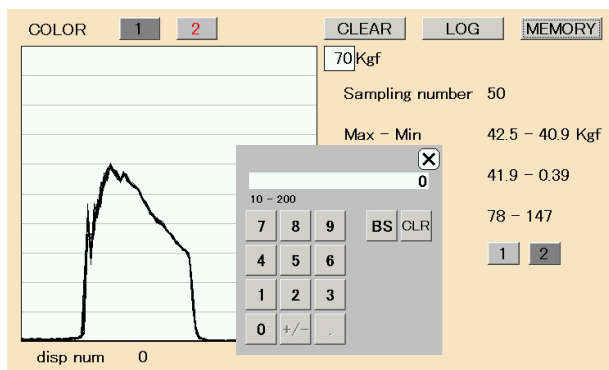
Max - Min: Maximum pressure and minimum pressure during sampling

Ave - Std : Average pressure and deviation during sampling

Jet Angle : Jetting start angle – end angle

Expansion: Changes the scale factor on the horizontal axis.

Graph : Pressure waveform with time on horizontal axis and pressure on vertical axis.



Changing the maximum/minimum (pressure) value: Touch the value and the ten-key pad appears. Key in the desired value to change each value.

