

MESSRS. BEDFORD

## JA REFERENCE DRAWINGS

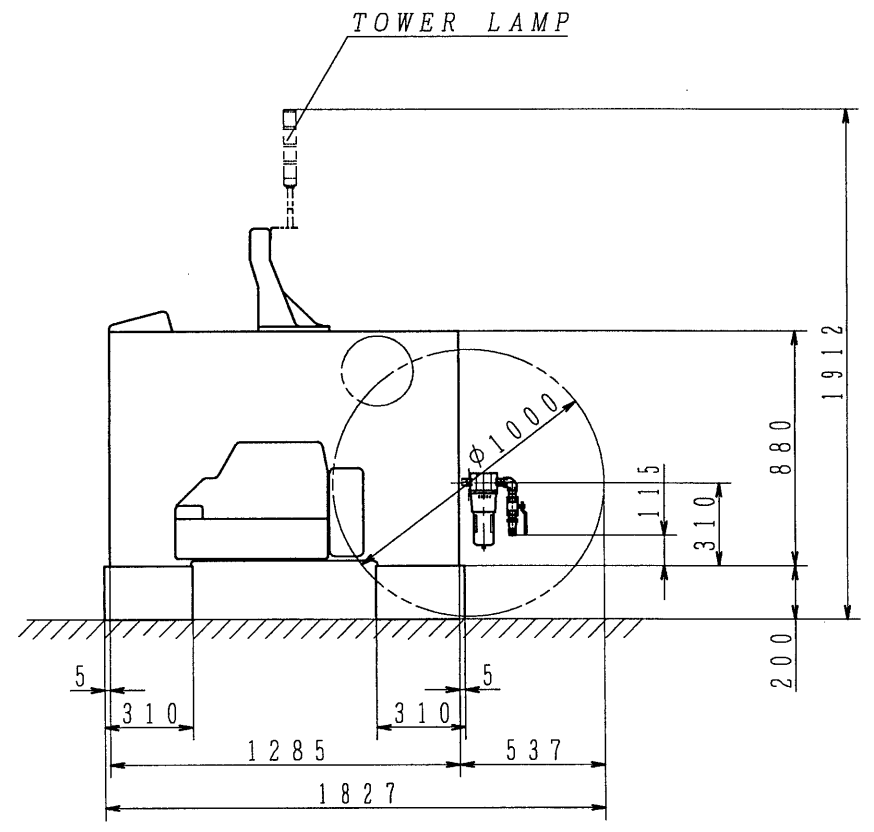
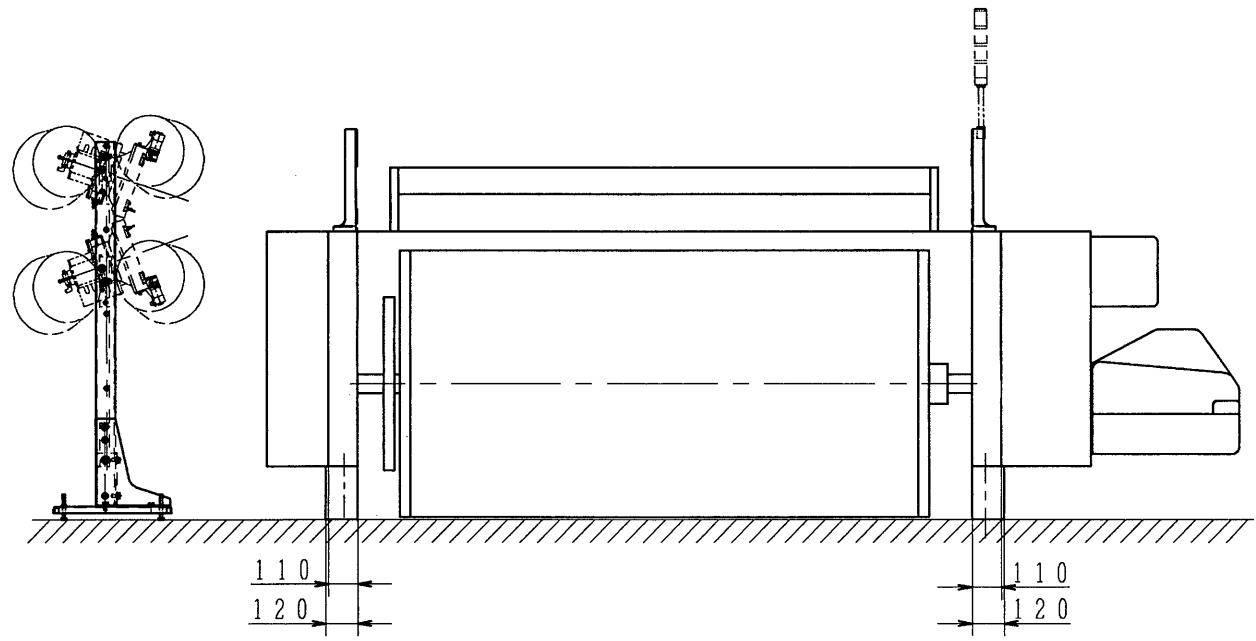
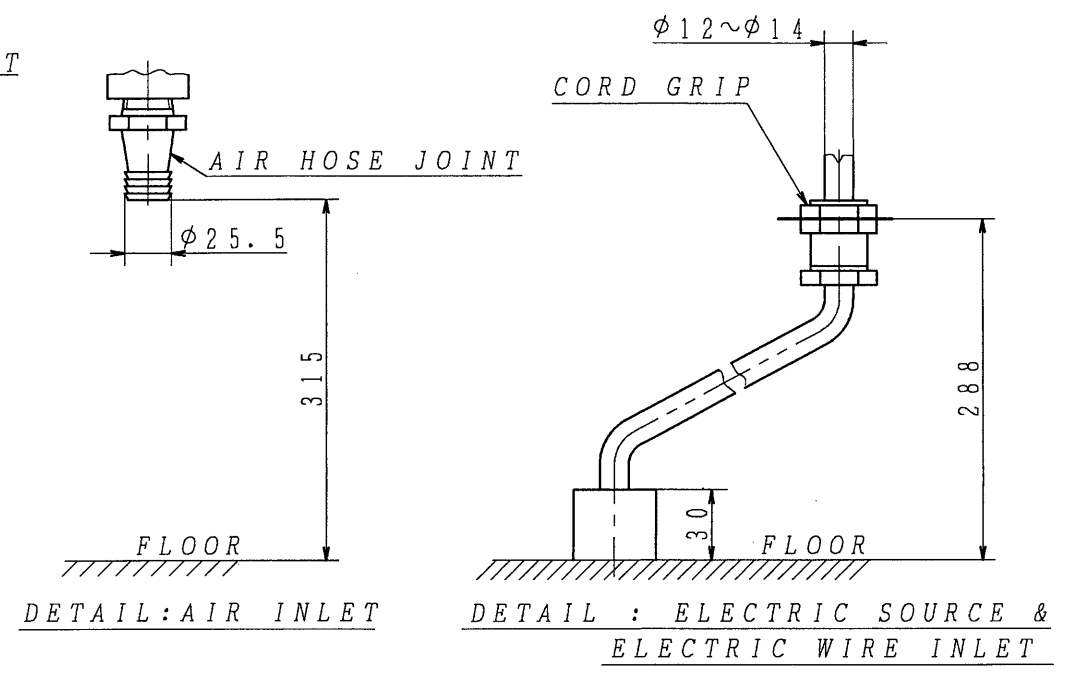
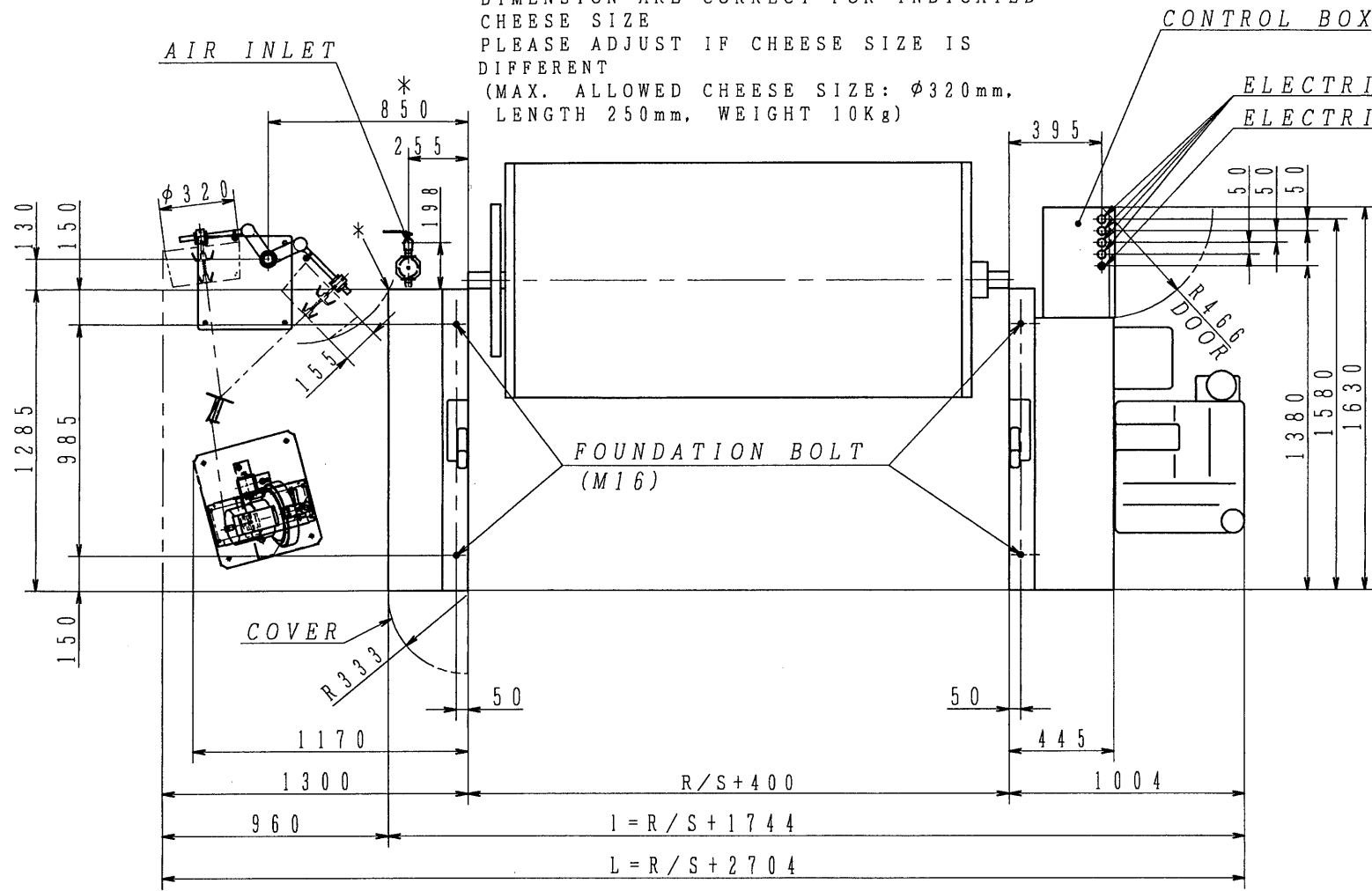
(Mechanic Drawings)

SERIAL No. JA9542

MODEL JAS190TP

<i>NUMBER OF DRAWING</i>	<i>NAME OF DRAWING</i>
JF-003-TP243SCA	FLOOR PLAN
JA-002-LB001A	LENO BOBBIN
JA-304-DP001	DROPPER
JE-312-RD004	REED
JA-316-014	HEALD
JE-317-YB111	YARN BEAM

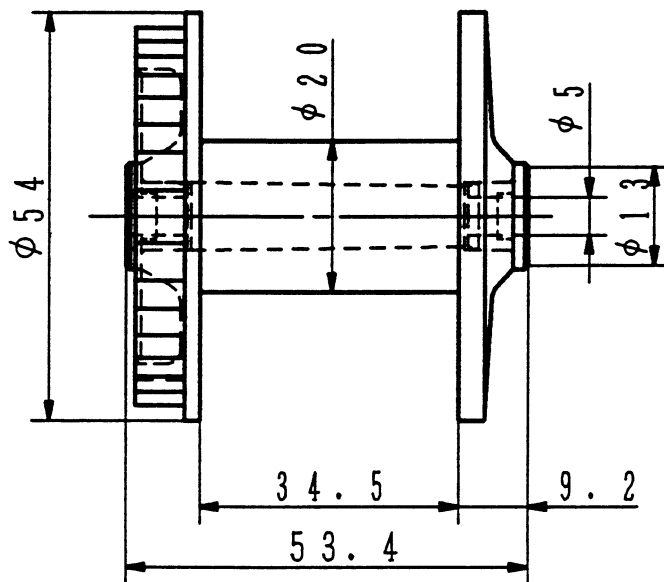
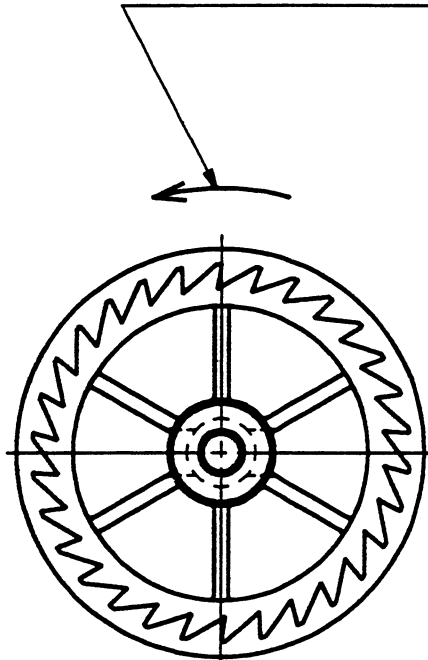
\*CAUTION  
 DIMENSION ARE CORRECT FOR INDICATED  
 CHEESE SIZE  
 PLEASE ADJUST IF CHEESE SIZE IS  
 DIFFERENT  
 (MAX. ALLOWED CHEESE SIZE:  $\phi 320$ mm,  
 LENGTH 250mm, WEIGHT 10Kg)



R/S	L	l
150	4204	3244
170	4404	3444
190	4604	3644

MESSRS.		DATE JAN. 29. 2013	APPLIED FOR JAT71
REMARKS POSITIVE CAM MOTION (STAUBLI 1651.1661) YARN BEAM DIA. $\phi 1000$ (1671.1681) OFF LOOM TAKE-UP MOTION CHEESE DIA. $\phi 320$ ELECTRIC LARGE DRUM 1 OR 2 COLORS WITH CONICAL TANDEM NOZZLE & ABS		NAME OF DRAWING <b>FLOOR PLAN</b>	
DRAWN BY Y. KAWAKAMI	CHECKED BY <i>Y. Kida</i>	APPROVED BY <i>Y. Morikuni</i>	DRAWING NO. JF-003-TP243SCA

WINDING DIRECTION



MESSRS.

DATE AUG. 21. 2001 APPLIED FOR JA

REMARKS

NAME OF DRAWING

PARTS NO. J5125-80010-00  
(BUSH; J5125-82010-00)

LENO SELVEDGE BOBBIN

DRAWN BY

CHECKED BY

APPROVED BY

DRAWING NO.

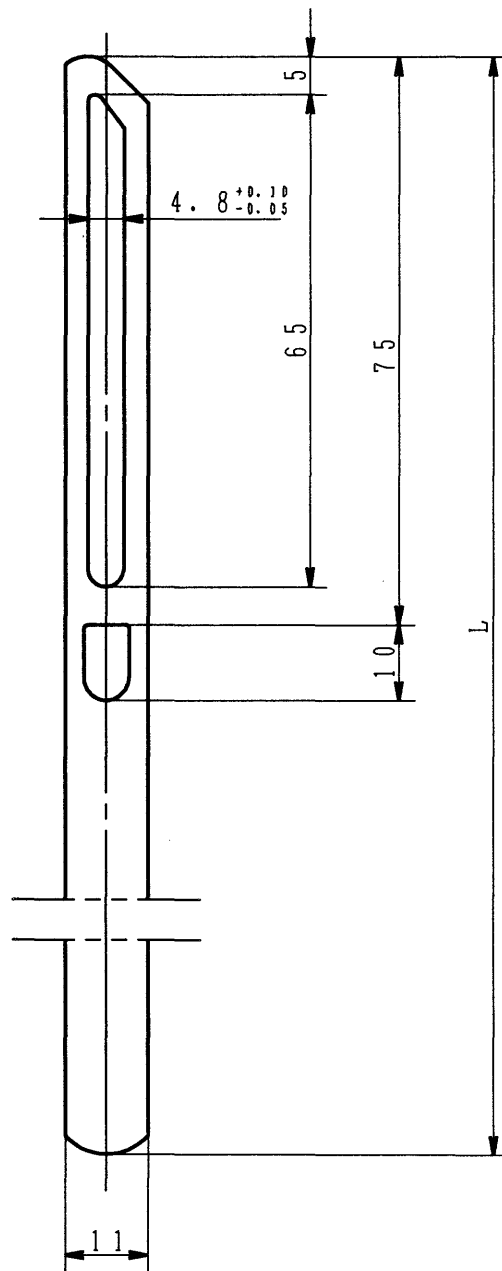
M. MASUDA

*T Ogura*

*J. Arano*

JA-002-LB001A

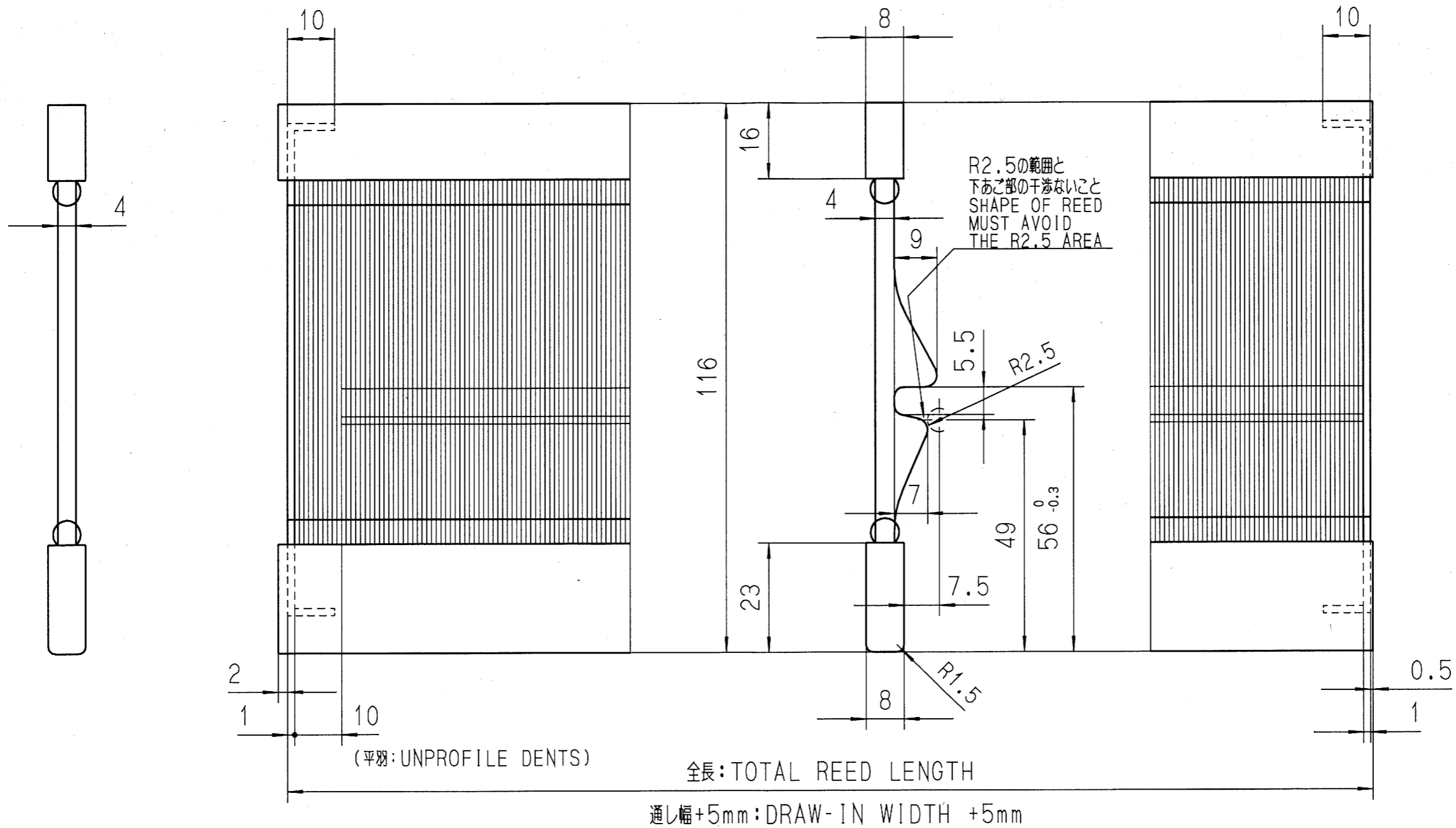
JA-304-001



TYPE	L
SHORT TYPE	145
LONG TYPE	165

MESSRS.		DATE 9. DEC. 88	APPLIED FOR JA
REMARKS FOR ELECTRIC BAR		NAME OF DRAWING DROPPER	
DRAWN BY K. HARA	CHECKED BY <i>K. Sugino</i>	APPROVED BY <i>J. Inano</i>	DRAWING NO. JA-304-DP001

1

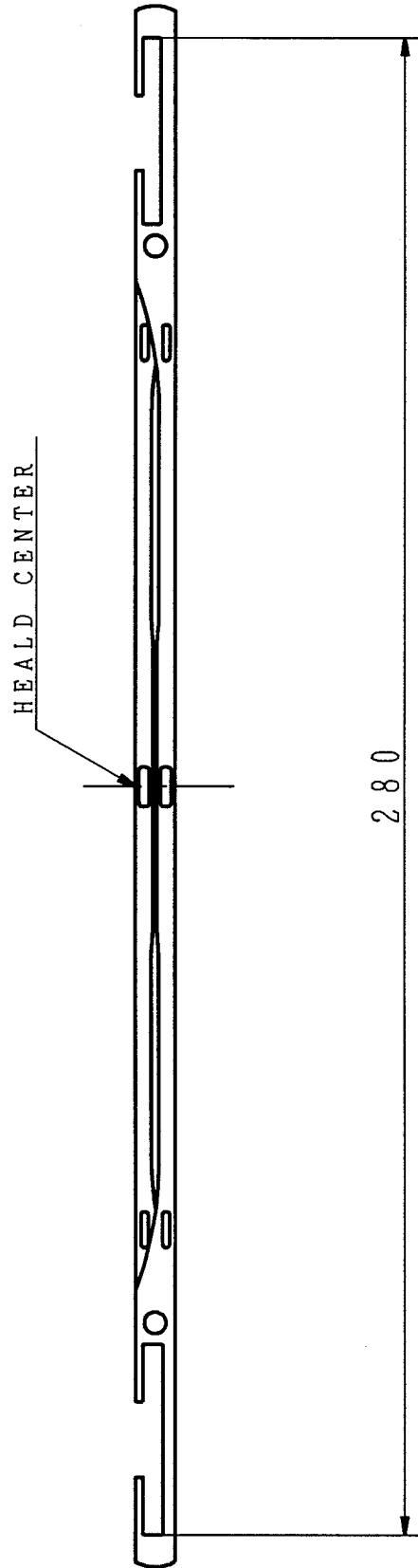


- 1) 全長: TOTAL REED LENGTH    \*\*\*\*mm
- 2) 才サ密度: DENTS DENSITY    \*\*\*/2INCHS
- 3) 羽厚: DENT THICKNESS    t=\*\*\*mm

MESSRS.		DATE 2004.01.19	APPLIED FOR JAT71
REMARKS		NAME OF DRAWING	
FILAMENT CUT REED TYPE		REED	
DRAWN BY Y. MAKINO	CHECKED BY T. Inyaku	APPROVED BY J. Iwano	DRAWING NO. JE-312-RD004

符号	変更事項	年月日	変更者

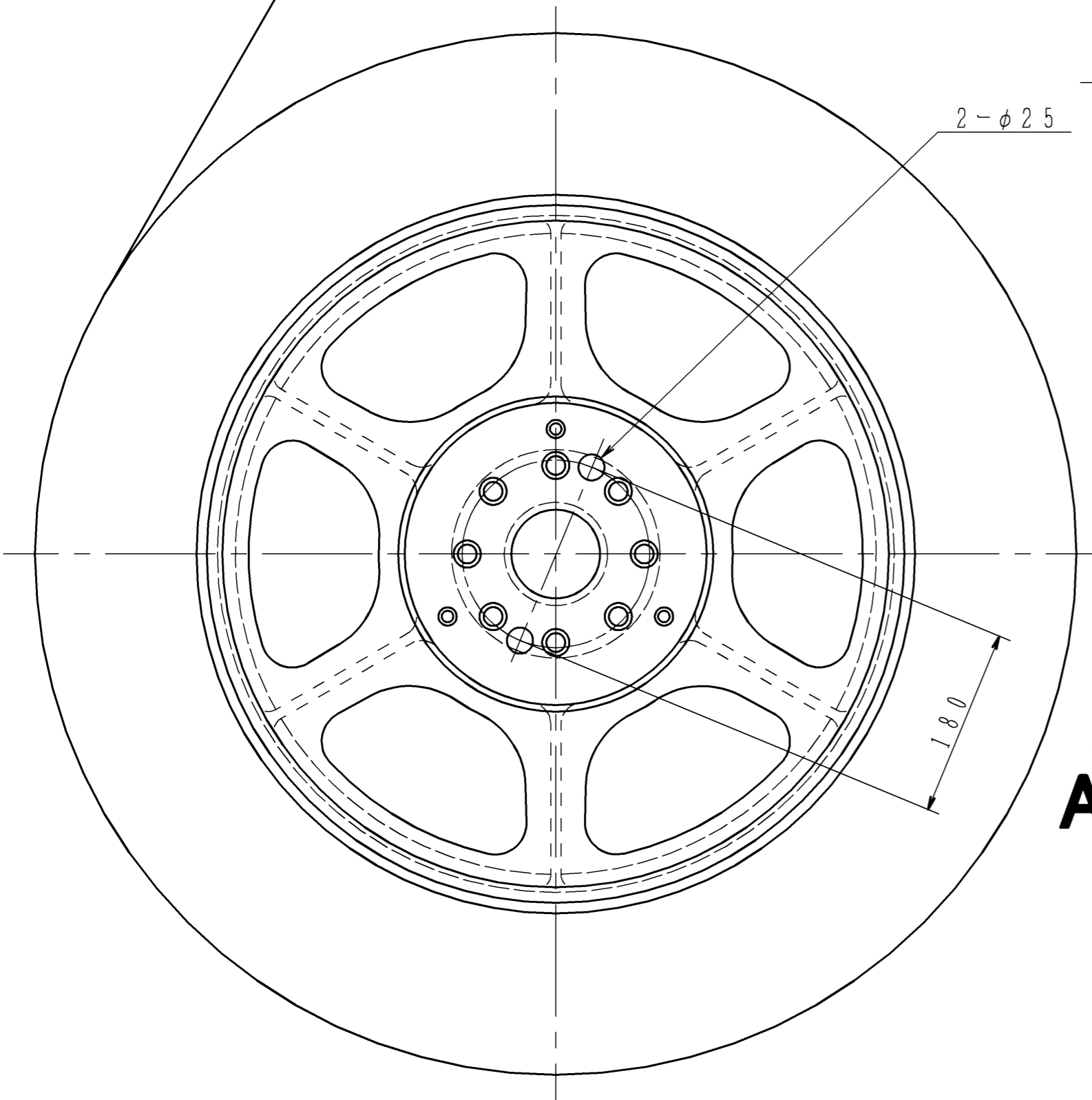
この図面の所有権は  
株式会社豊田自動織機  
にあります。弊社の書面  
による許可なく公開、複写、  
譲渡、および類似行為を禁  
止します。



MESSRS.		DATE JUN. 23. 1992	APPLIED FOR JA
REMARKS OPEN C-SHAPED END LOOP 280 HEALD		NAME OF DRAWING FLAT HEALD	
DRAWN BY IWASE	CHECKED BY <i>K. Sugimura</i>	APPROVED BY <i>J. Swano</i>	DRAWING NO. JA-316-014

DRAWING DIRECTION  
OF WARP SHEET

BASE PLANE OF BEAMING

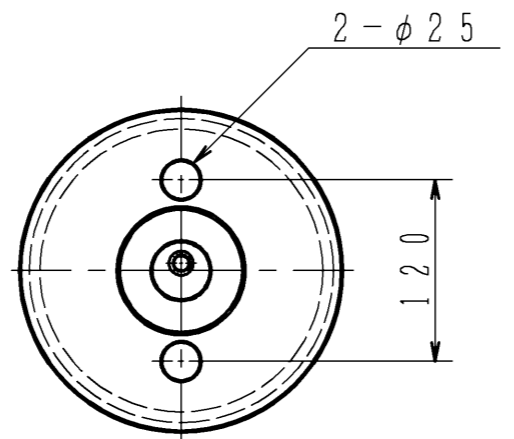


$m = 5, 136T$

$2 - \phi 25$

1800

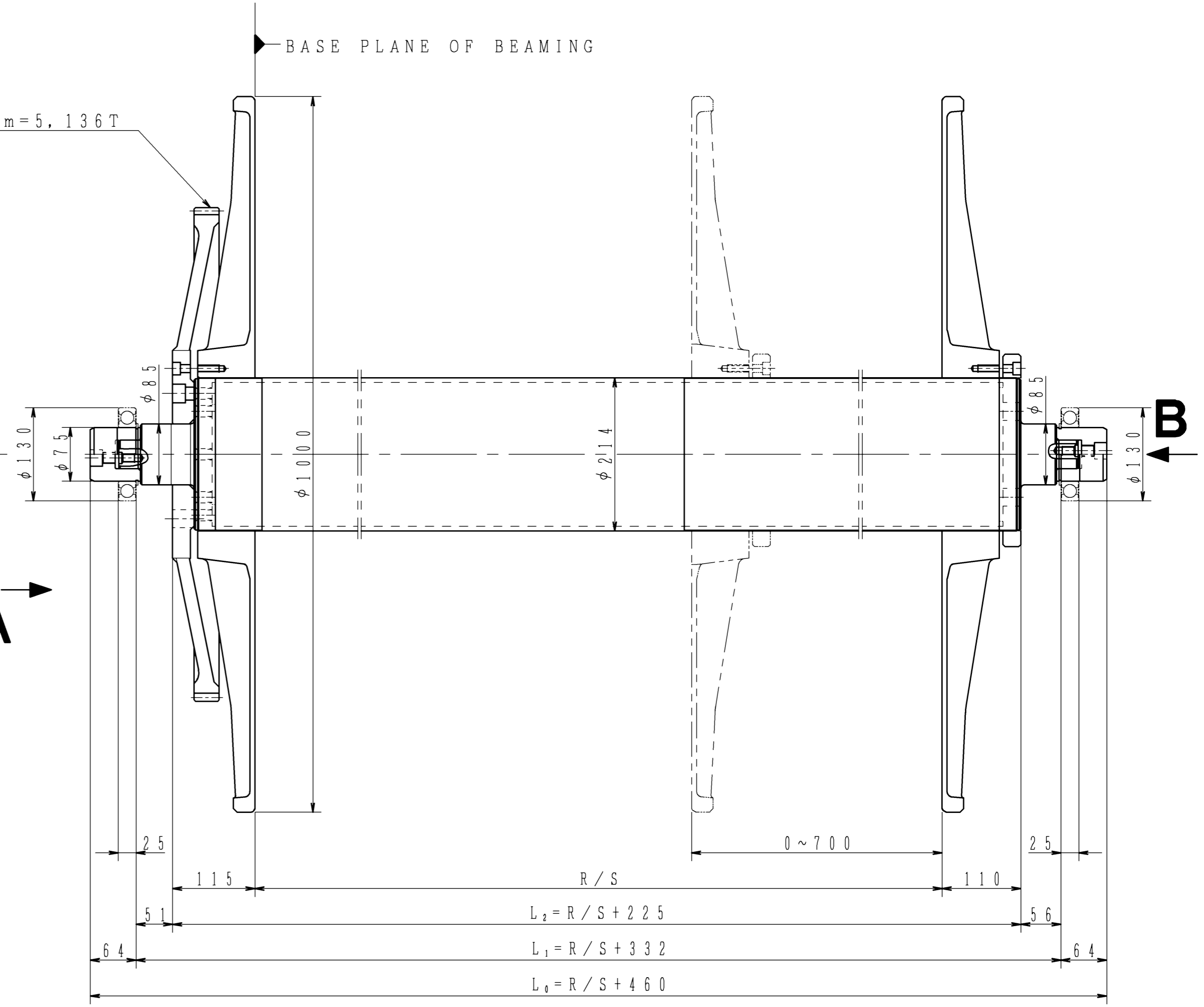
**A**



$2 - \phi 25$

120

**B**



$L_2 = R/S + 225$   
 $L_1 = R/S + 332$   
 $L_0 = R/S + 460$

R/S	$L_0$	$L_1$	$L_2$
170	2160	2032	1925
190	2360	2232	2125
210	2560	2432	2325
230	2760	2632	2525

MESSRS.		DATE AUG. 21. 2001	APPLIED FOR JAT61
REMARKS		R/S170~230	NAME OF DRAWING
YARN BEAM FLANGE DIA. $\phi 1000$		YARN BEAM	
YARN BEAM DIA. $\phi 214$		BALL BEARING 6215DDU	
DRAWN BY	CHECKED BY	APPROVED BY	DRAWING NO.
M. MASUDA	S. Abe Y. Kawakami	H. Sugiyama	JE-317-YB111