

MESSRS. PRECISION FABRIC GROUP

JA REFERENCE DRAWINGS

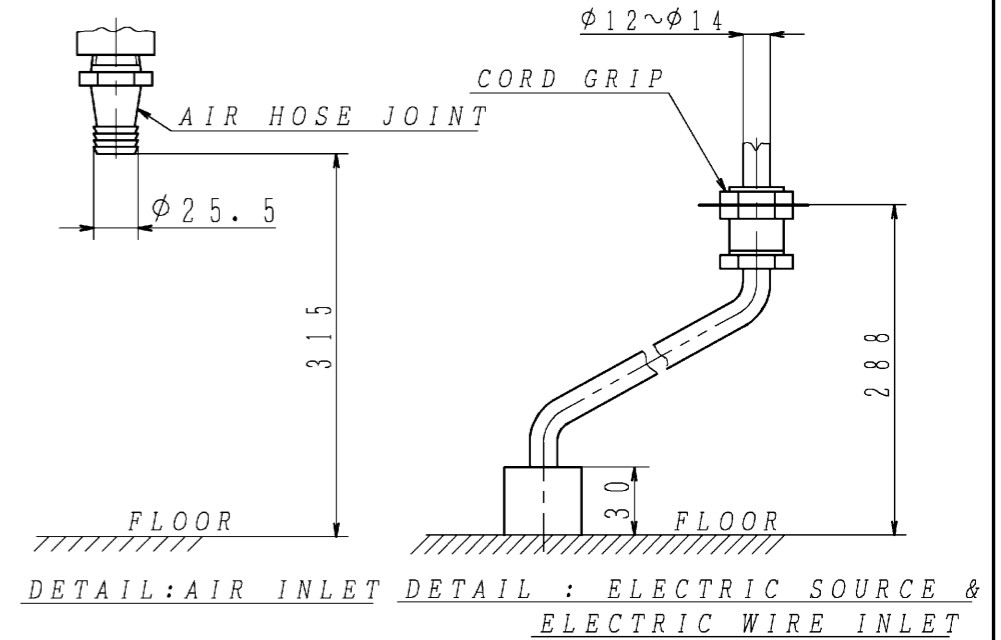
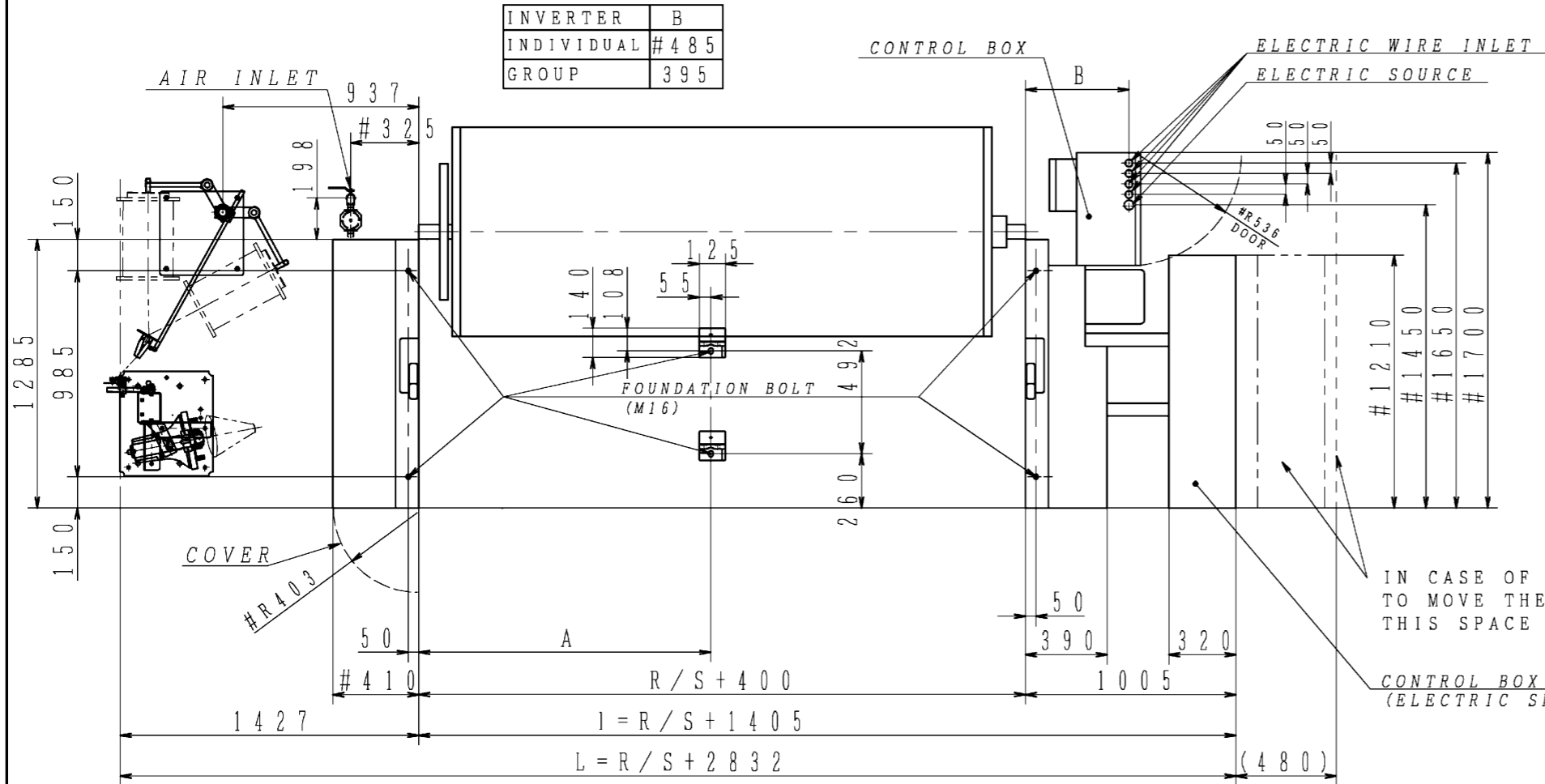
(Mechanic Drawings)

SERIAL No. JB3379

MODEL JAS230TE

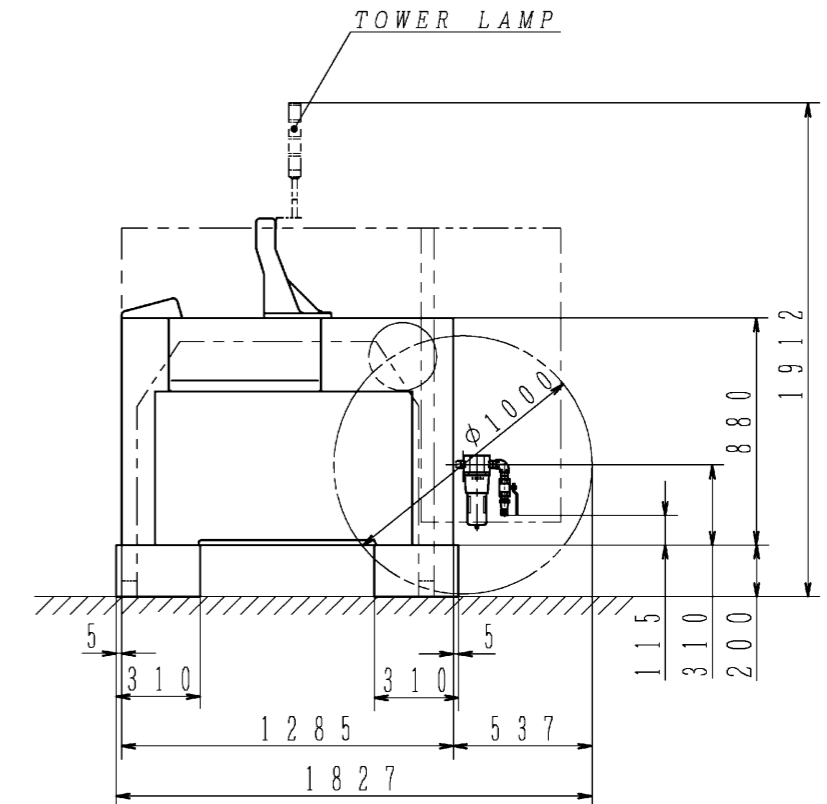
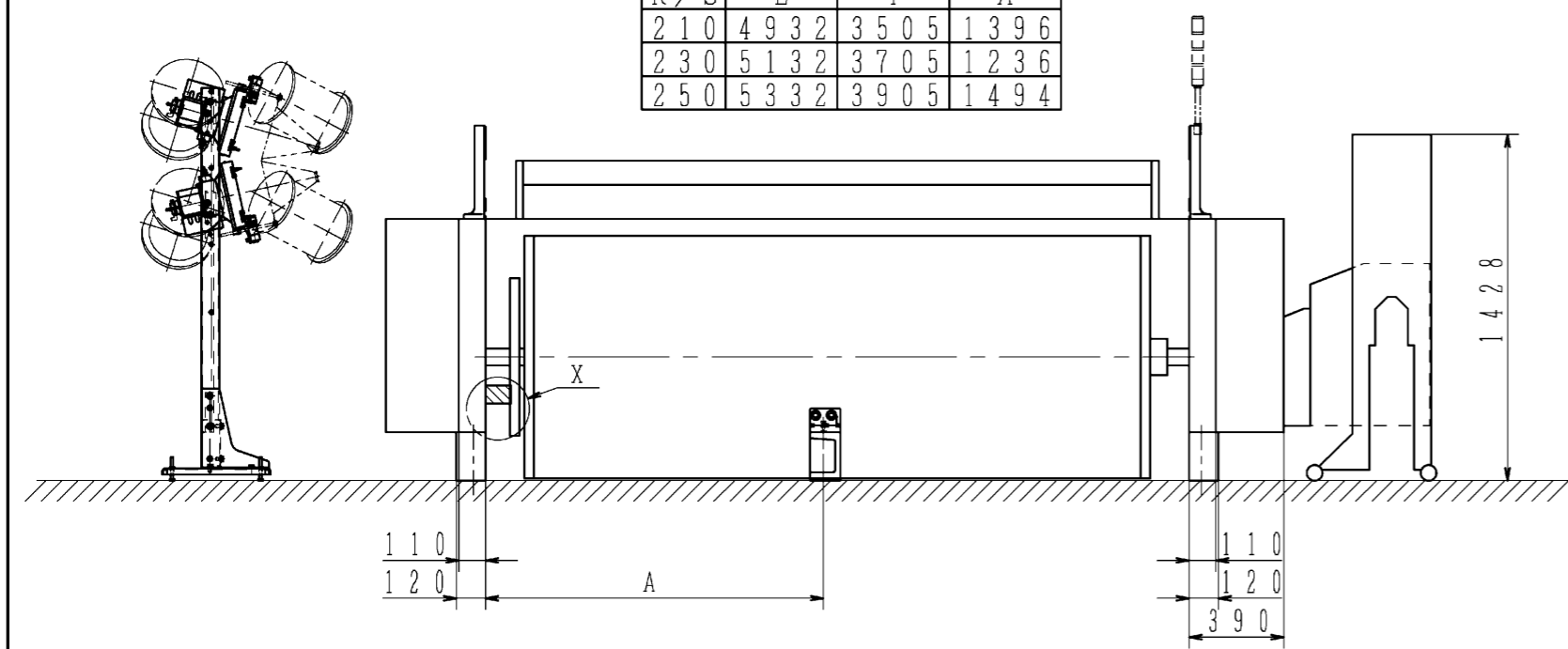
<i>NUMBER OF DRAWING</i>	<i>NAME OF DRAWING</i>
JG-003-TE307MAB	FLOOR PLAN
JA-002-LB001A	LENO BOBBIN
JA-304-DP001	DROPPER
JE-312-RD002	REED
JA-316-014	HEALD
JE-317-YB125	YARN BEAM

INVERTER	B
INDIVIDUAL	#485
GROUP	395



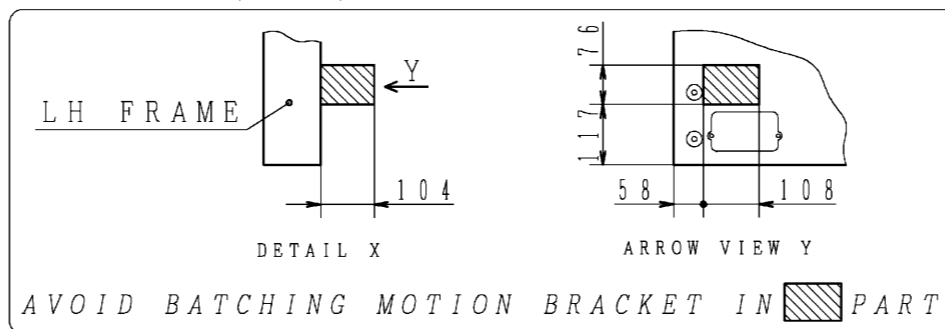
IN CASE OF MAINTENANCE OF ELECTRIC SHEDDING MOTION TO MOVE THE CONTROL BOX THIS SPACE IS REQUIRED TO THE NEXT MACHINE
 CONTROL BOX (ELECTRIC SHEDDING MOTION)

R/S	L	l	A
210	4932	3505	1396
230	5132	3705	1236
250	5332	3905	1494



REMARKS.

R/S210~250
 ELECTRIC SHEDDING MOTION (8-SHAFTS)
 YARN BEAM DIA. φ1000
 OFF LOOM TAKE-UP MOTION
 JUMBO CHEESE STAND
 ELECTRIC LARGE DRUM 1 OR 2 COLORS
 WITH MULTI TANDEM NOZZLE & ABS
 WITH BALLOON COVER



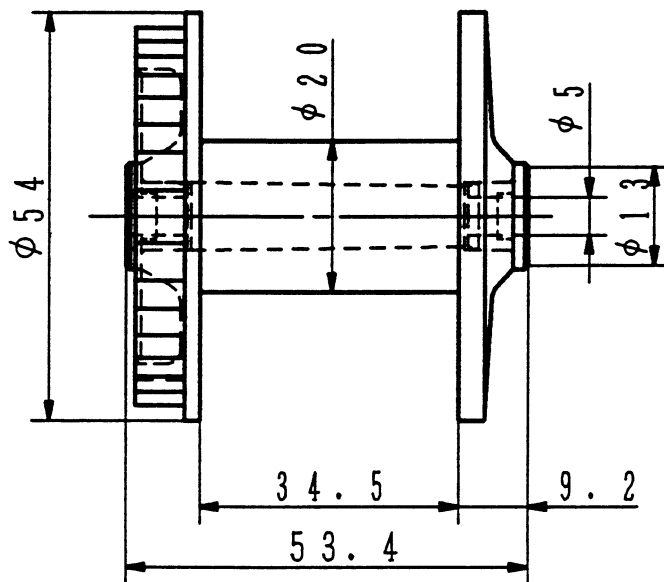
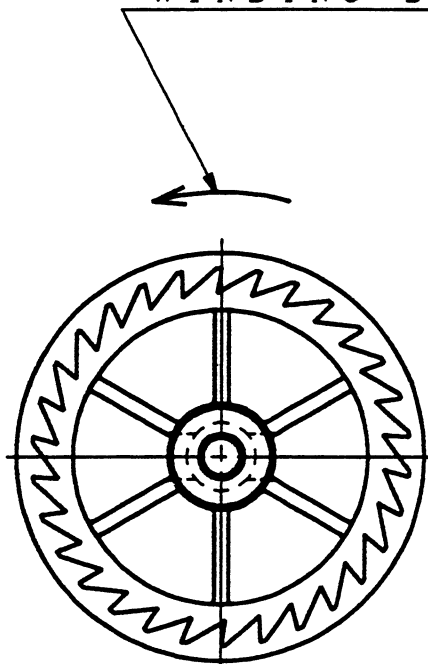
THIS SIZE CHANGED AS COMPARED WITH JAT710.

DRAWN BY M. SAKODA	CHECKED BY S. Abe Y. Kawakami	APPROVED BY H. Sugiyama	DRAWING NO. JG-003-TE307MAB
-----------------------	-------------------------------------	----------------------------	--------------------------------

DATE DEC. 26. 2018	APPLIED FOR JAT81
NAME OF DRAWING	

FLOOR PLAN

WINDING DIRECTION



MESSRS.

DATE AUG. 21. 2001 APPLIED FOR JA

REMARKS

NAME OF DRAWING

PARTS NO. J5125-80010-00
(BUSH; J5125-82010-00)

LENO SELVEDGE BOBBIN

DRAWN BY

CHECKED BY

APPROVED BY

DRAWING NO.

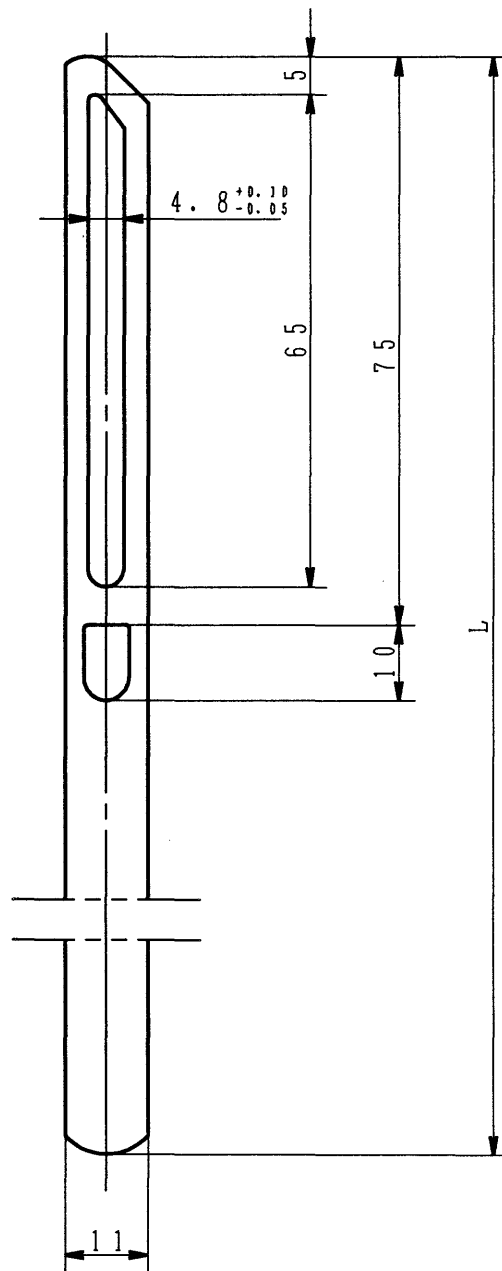
M. MASUDA

T Ogura

J. Arano

JA-002-LB001A

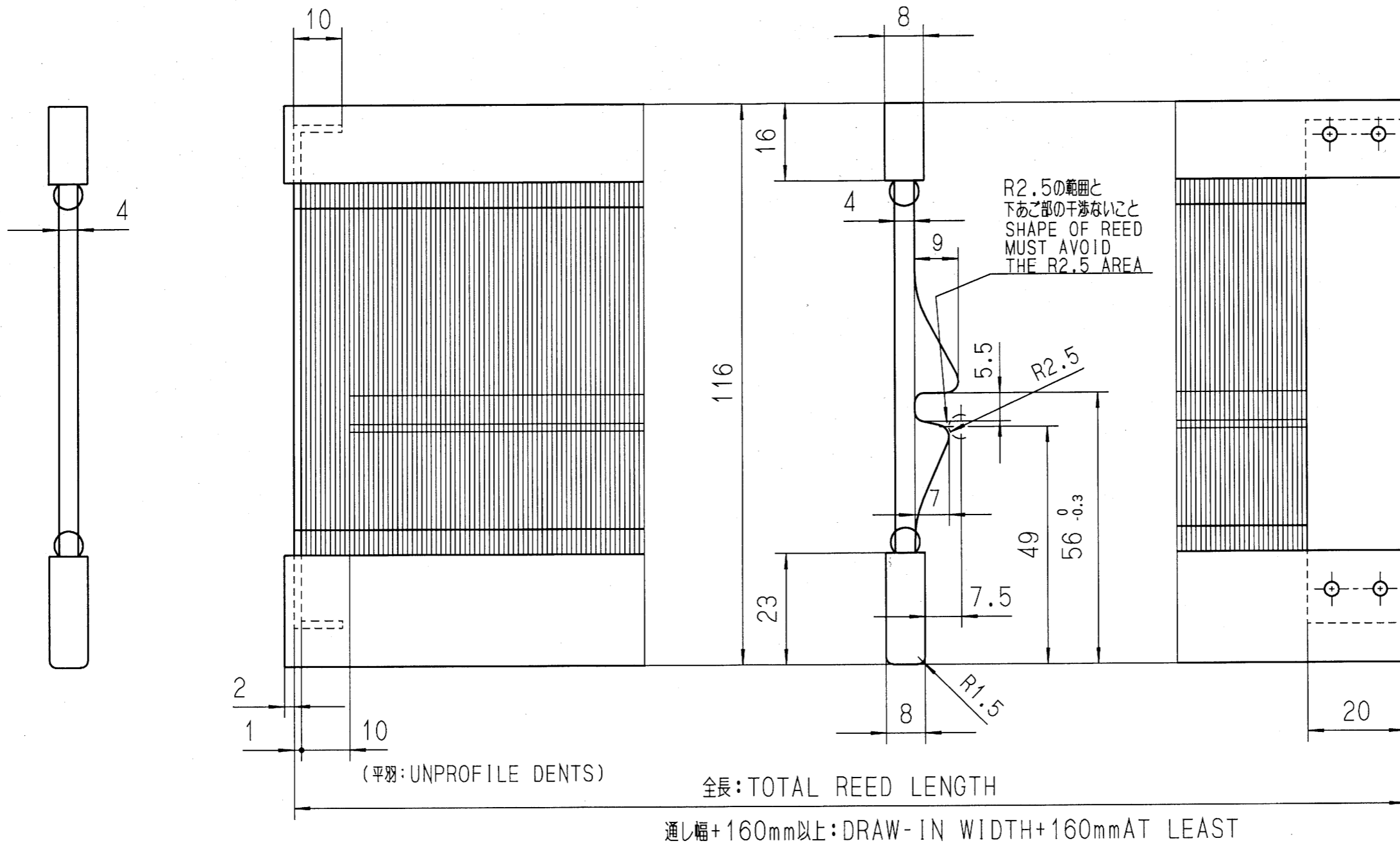
JA-304-001



TYPE	L
SHORT TYPE	145
LONG TYPE	165

MESSRS.		DATE 9. DEC. 88	APPLIED FOR JA
REMARKS FOR ELECTRIC BAR		NAME OF DRAWING DROPPER	
DRAWN BY K. HARA	CHECKED BY <i>K. Sugino</i>	APPROVED BY <i>J. Inano</i>	DRAWING NO. JA-304-DP001

1

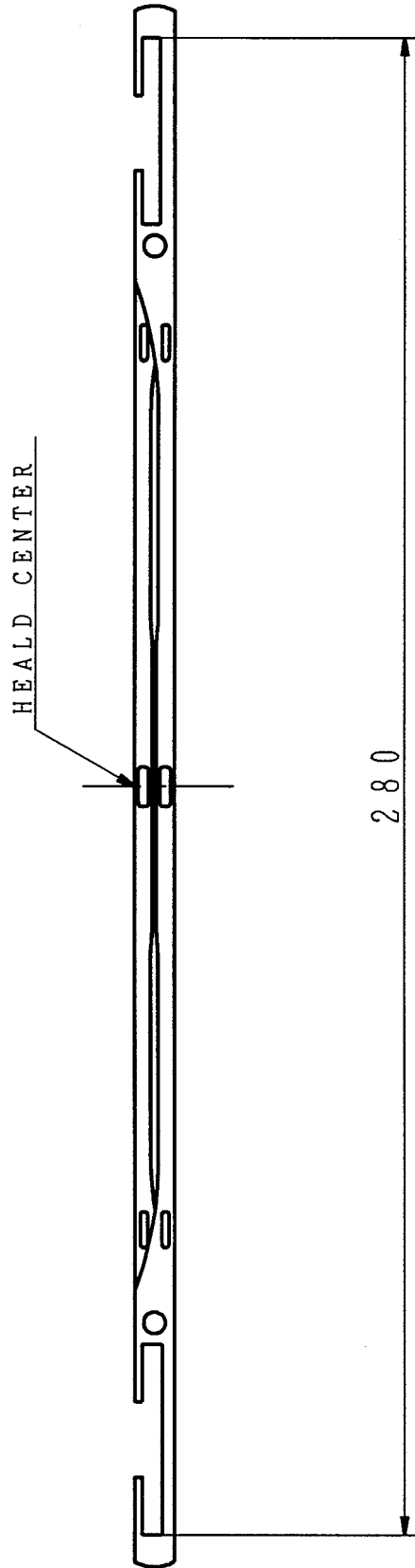


- 1) 全長: TOTAL REED LENGTH ****mm
- 2) 才竹密度: DENTS DENSITY ***/2INCHS
- 3) 羽厚: DENT THICKNESS t=***mm

MESSRS.		DATE 2004.01.19	APPLIED FOR JAT71
REMARKS		NAME OF DRAWING	
FILAMENT NON CUT REED		REED	
DRAWN BY	CHECKED BY	APPROVED BY	DRAWING NO.
Y. MAKINO	T. Inagawa	J. Iwano	JE-312-RD002

符号	変更事項	年月日	変更者

この図面の所有権は
株式会社豊田自動織機
にあります。弊社の書面
による許可なく公開、複写、
譲渡、および類似行為を禁
止します。



MESSRS.		DATE JUN. 23. 1992	APPLIED FOR JA
REMARKS OPEN C-SHAPED END LOOP 280 HEALD		NAME OF DRAWING FLAT HEALD	
DRAWN BY IWASE	CHECKED BY <i>K. Sugimura</i>	APPROVED BY <i>J. Swano</i>	DRAWING NO. JA-316-014

DRAWING DIRECTION OF WARP SHEET

BASE PLANE OF BEAMING

M=5,136T

2-φ25

φ130
φ75
φ85

φ1000

φ216

φ85
φ130

180

0~700

A

A

B

B

2-φ25

120

B

25

115

R/S

110

25

$L_2 = R/S + 225$

$L_1 = R/S + 332$

$L_0 = R/S + 460$

64

64

R/S	L ₀	L ₁	L ₂
140	1860	1732	1625
150	1960	1832	1725
170	2160	2032	1925
190	2360	2232	2125
210	2560	2432	2325
230	2760	2632	2525
250	2960	2832	2725
280	3260	3132	3025

ギヤの歯数、モジュール追加	19.03.19	M.SAKODA
R/S140, 150追加	12.02.15	Y.KAWAKAMI
符号	変更事項	年月日 変更者

MESSRS.	DATE FEB. 15. 2012	APPLIED FOR JAT81
REMARKS YARN BEAM FLANGE DIA. φ1000 YARN BEAM DIA. φ216 BALL BEARING 6215DDU	R/S140~280 NAME OF DRAWING YARN BEAM	
DRAWN BY Y. KAWAKAMI	CHECKED BY S. Abe Y. Kawakami	APPROVED BY H. Sugiyama
DRAWING NO. JE-317-YB125		